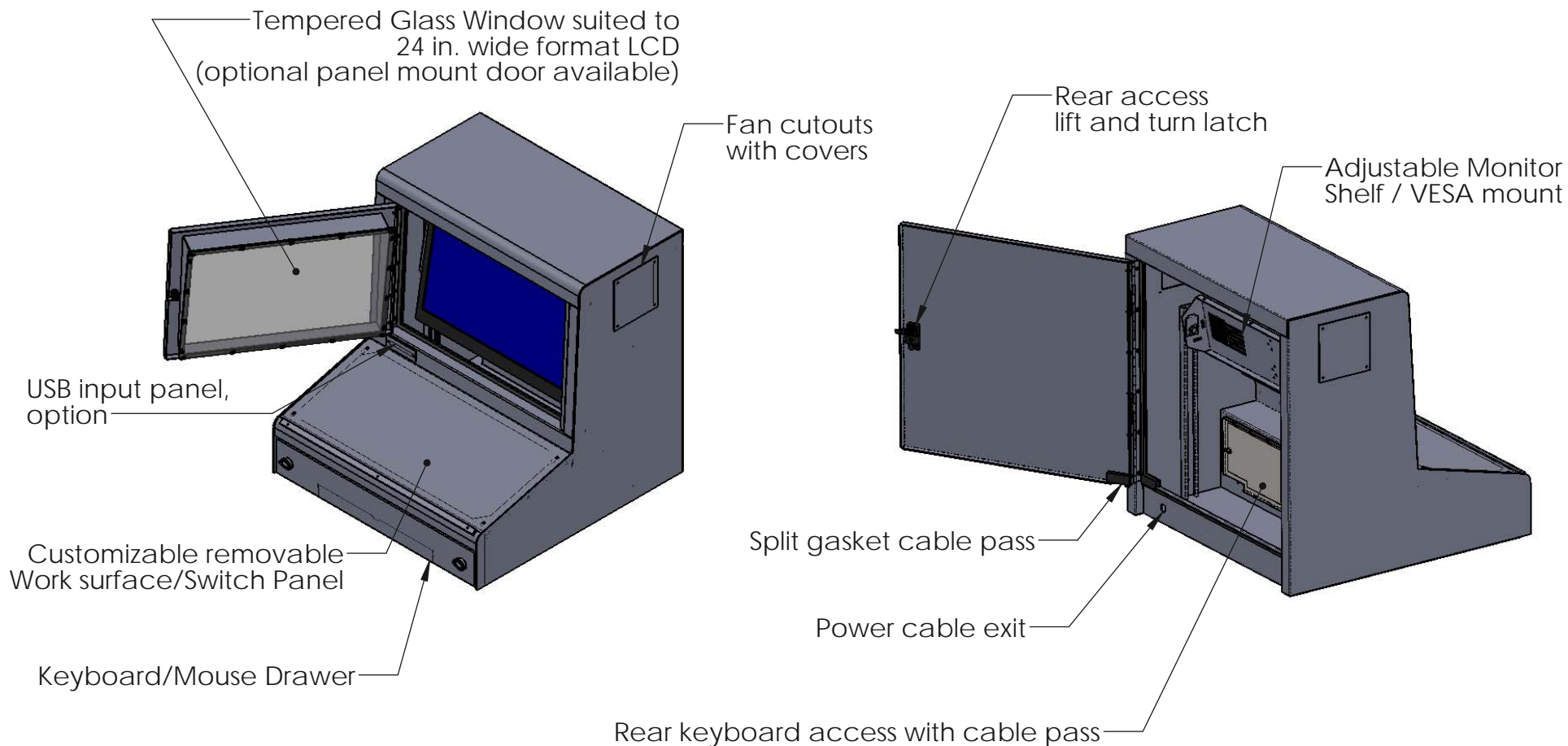


- Powder Coated Steel Construction
- 12 Ga. Enclosure Body
- Weight = 190 Lbs.

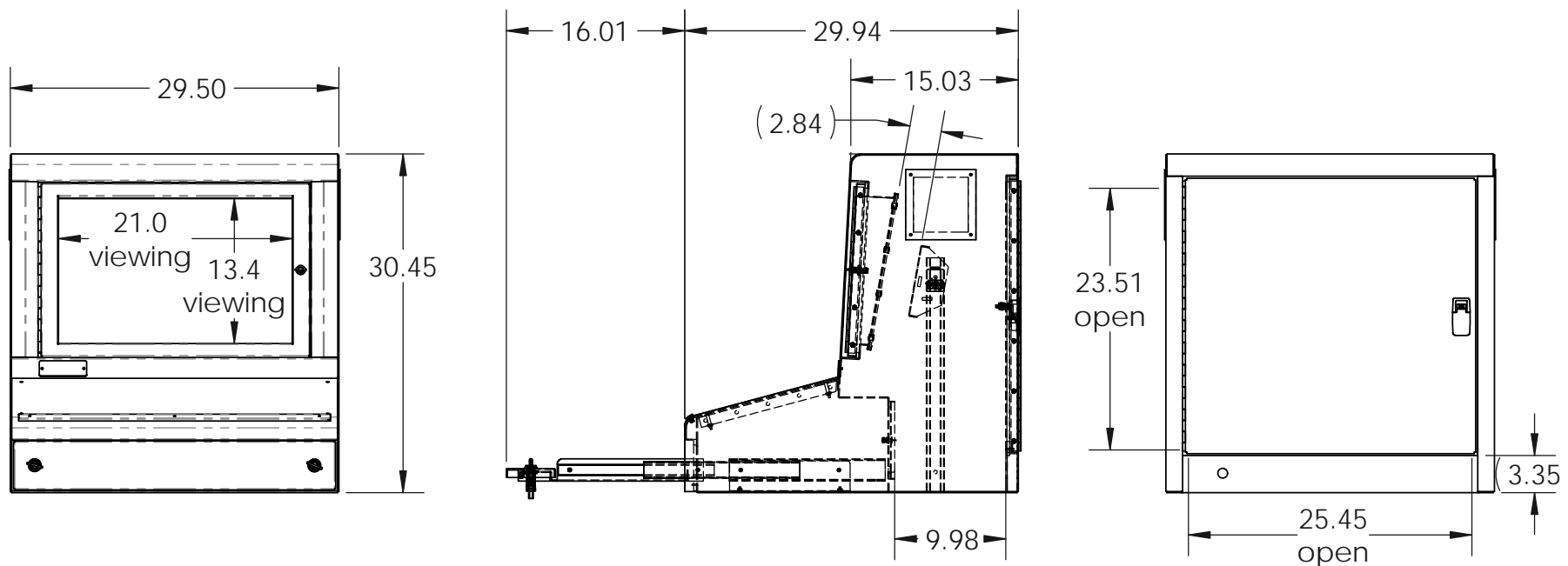


NOTES:

- 1) Split gasket cable pass can support one Network cable (Cat-5) exit thru door seal gasket.
- 2) Optional door and drawer locking latches available.
- 3) Stocked paint colors: Blue and Grey

Compatible cooling devices

- FSS1-10 Filtered Fan System
- M13 and M17 AC Units
- VC2000 Vortex Cooler
- HE300 Heat Exchanger
-



Available Space Dimensions

- Keyboard Tray: 24.50 x 11.50
- Monitor: 24 in.
- VESA mounting: 75mm x 75mm and 100mm x 100mm