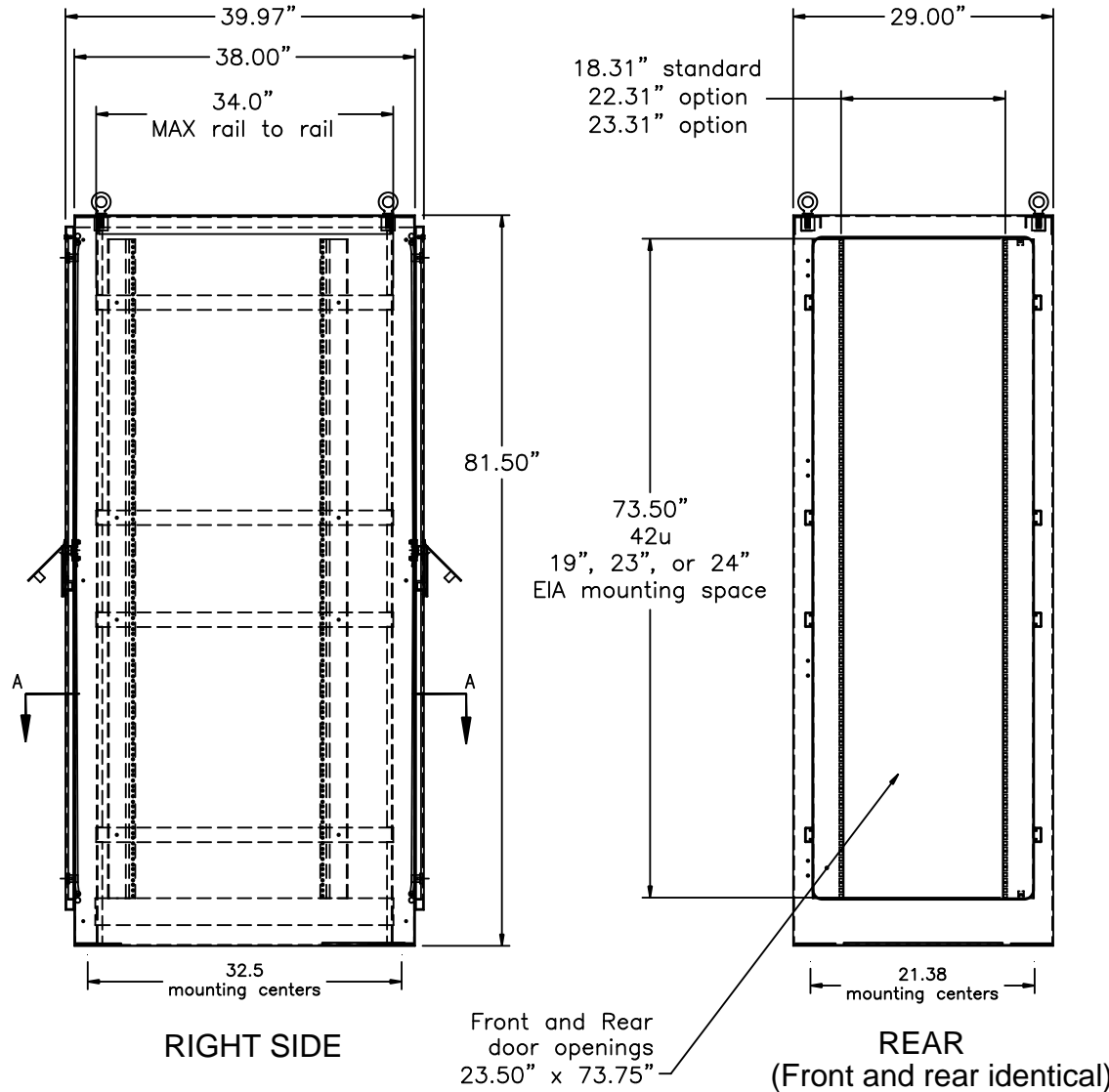


ITSENCLUSURES

271 Westech Drive, Mt. Pleasant, PA 15666
1-800-423-9911 ♦ info@itsenclosures.com

model IR82242939-04 or -4X

19" / 24" Rack Enclosure, NEMA-4



Model IR82-4 enclosure

81.5 High x 29.0 Wide x 38.0 Deep

NEMA-4, 12ga. painted steel enclosure intended to support 42u of 19", 23" or 24" EIA rack mounted equipment in outdoor or wet environments. (Stainless available)

Features include:

- 1) Front and rear door access with key locking multi-point latches. Pull pin concealed door hinges allow easy removal.
- 2) Dual-durometer gasket seal provides water tight protection with minimal closure force to single handle entry.
- 3) Full height 42u front and rear sets of punched 19" EIA mounting rails are standard equipment, (50 pieces) #10-32 clipnuts and screws included.
[alternate mounting rails and hardware sizes available]
- 4) Depth adjustable mounting rails are available in 21u sections that allow mounting of telco and network related devices in the same enclosure.
- 5) Four removable lifting eyes.
- 6) Reinforced mounting holes in enclosure base support flush or elevated mounting. Also caster mounting capable.
- 7) Enclosure cooling options available, with NEMA-4 or 4X compatibility to your application.
- 8) Enclosure design will support EMI/RFI protection in painted steel or 300 series stainless versions, (lead times will apply)

