

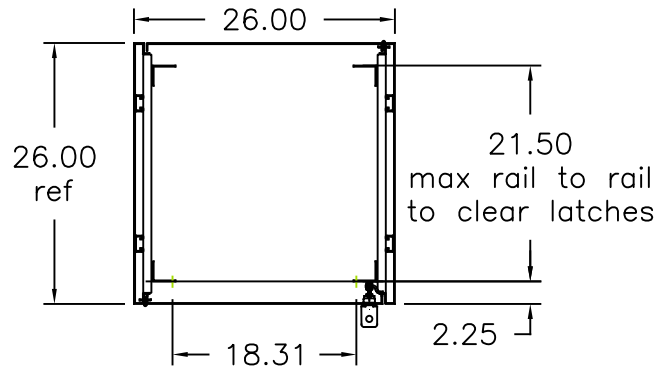
Adjustable 19" EIA rack mounting.

The vertical strut in the enclosure and the horizontal strut that supports the rails allows infinite adjustment within the enclosure. Cutting rails to desired lengths for smaller enclosures or specific sections of larger enclosures allows easy flexible application of standard 19" rack components.

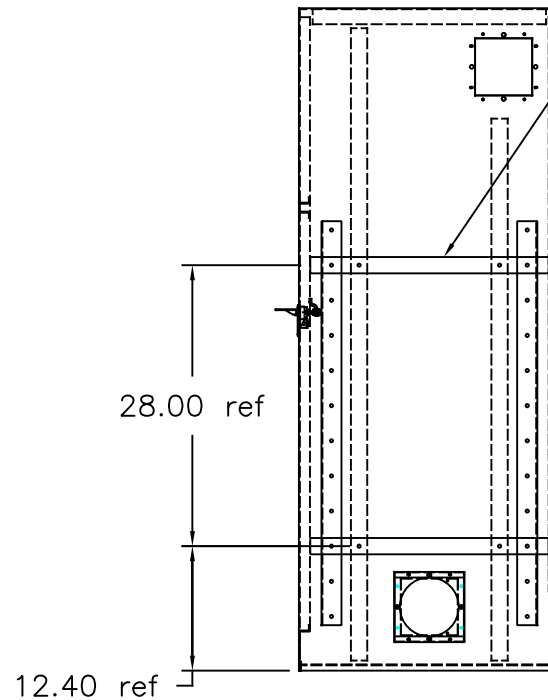
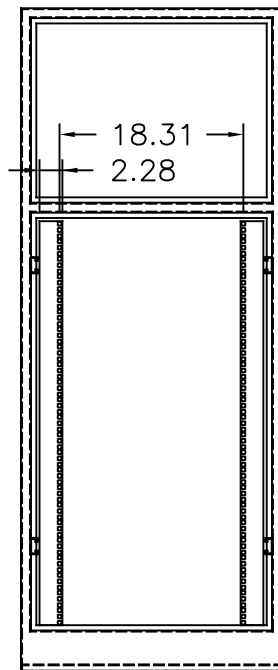
RC4026AK-B includes one pair of 40.25" (23u) 19" mounting rails, four horizontal unistrut, and installation hardware

RC4026Ax-B includes one pair of 40.25" (23u) 19" mounting rails, and hardware.

(RC4026Ax-B is an accessory to RC4026AK-B that allows four point mounting)



Ref for 26x26 enclosures  
IS662626 enclosure illustrated



Horizontal unistrut supports 19" EIA rail

