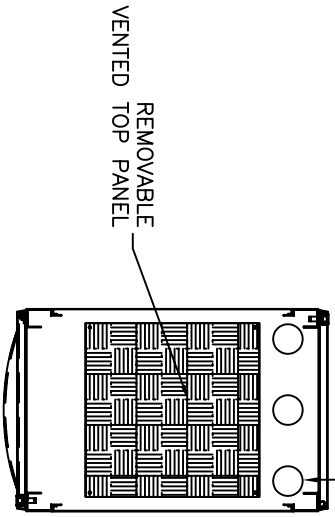
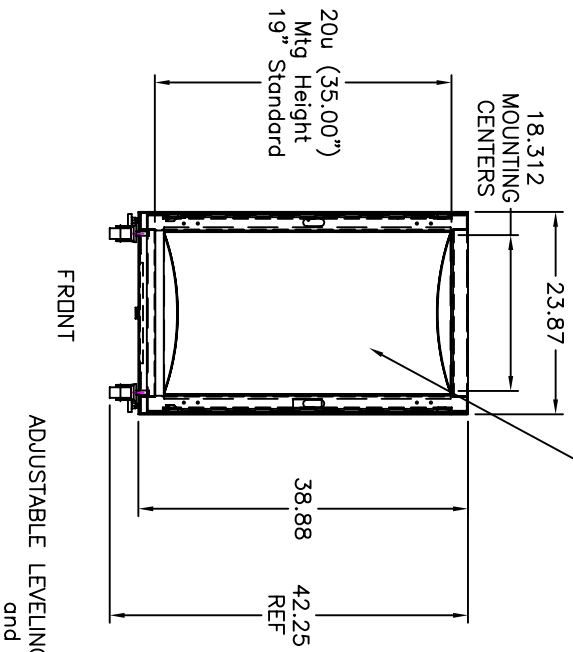


THREE  $\phi$ 3.50 HOLES IN TOP PANEL FOR POWER OR DATA CABLES (HOLES PLUGGED WITH REMOVABLE PLASTIC CAP)



TDP

VENTED LOCKING FRONT DOOR

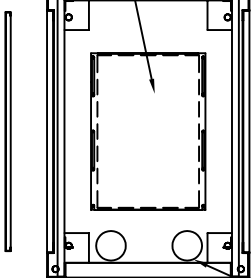


FRONT

ADJUSTABLE LEVELING GLIDES and CASTERS

REMOVABLE LOCKING SIDE PANELS

SLIDING BOTTOM PANEL CABLE ACCESS

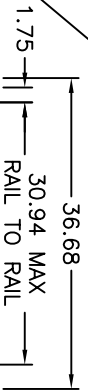


SECTION

TWO  $\phi$ 3.50 HOLES FOR POWER OR DATA CABLES (HOLES PLUGGED WITH REMOVABLE PLASTIC CAP)

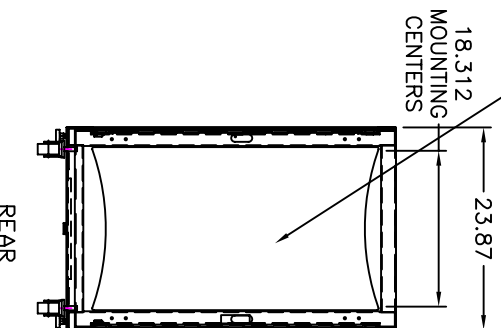
FRONT & REAR DOOR REVERSIBLE SWING DIRECTION

2 SETS OF PAINTED STEEL E.I.A. RAILS tapped #10-32 ADJUSTABLE FRONT & REAR



RIGHT SIDE

VENTED LOCKING REAR DOOR



REAR