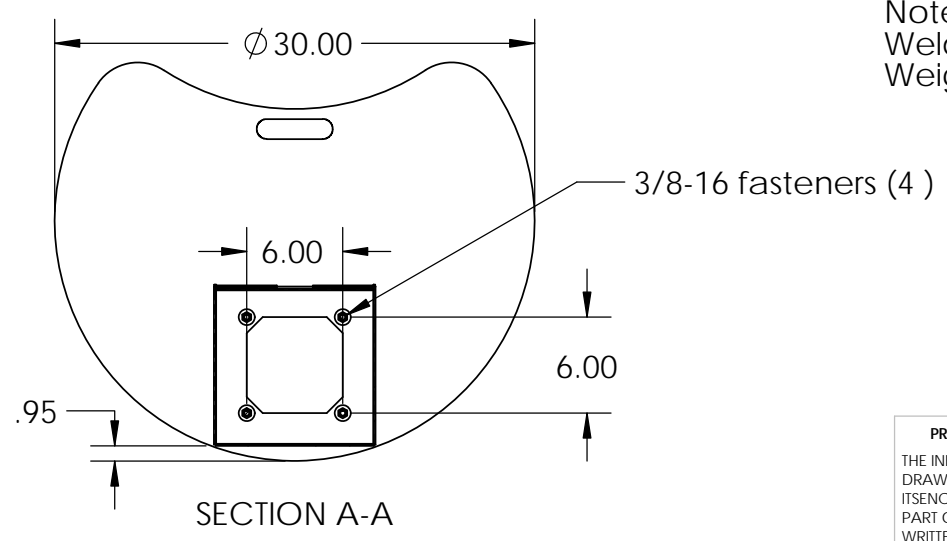
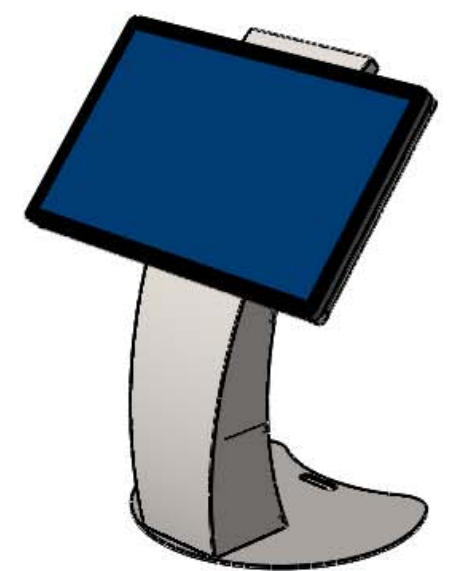
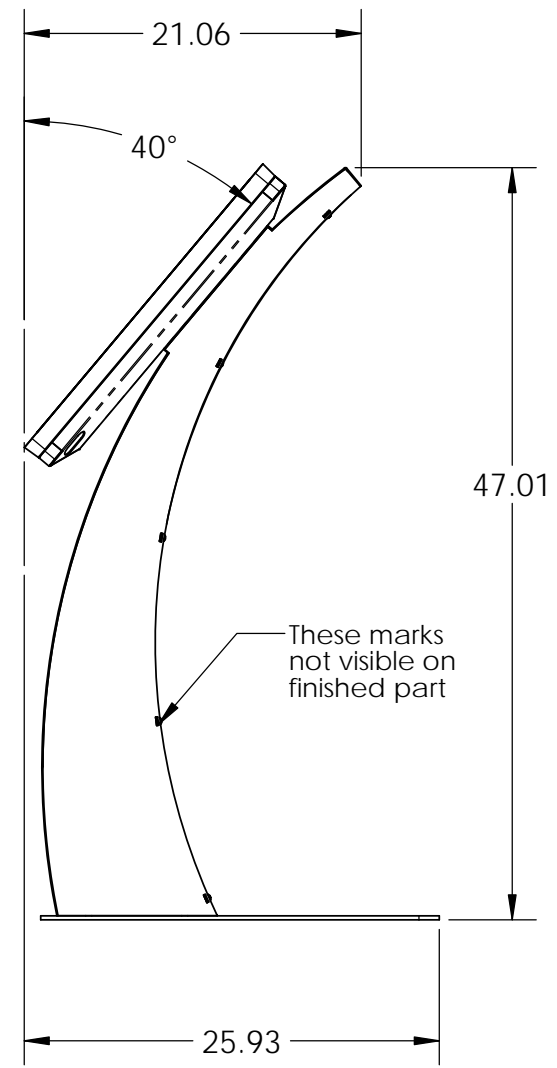
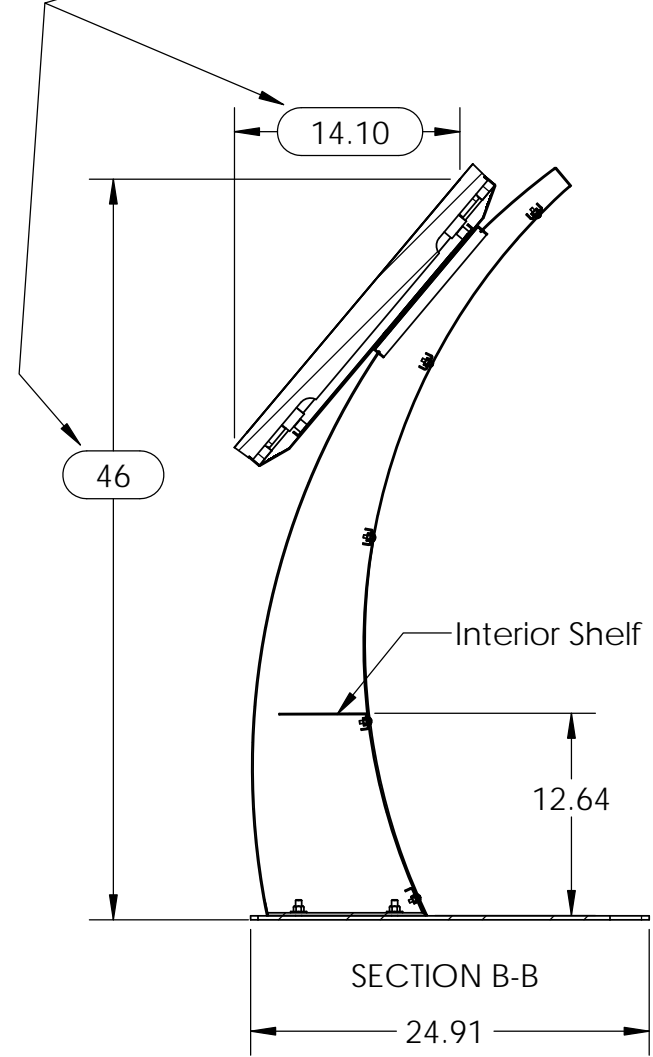
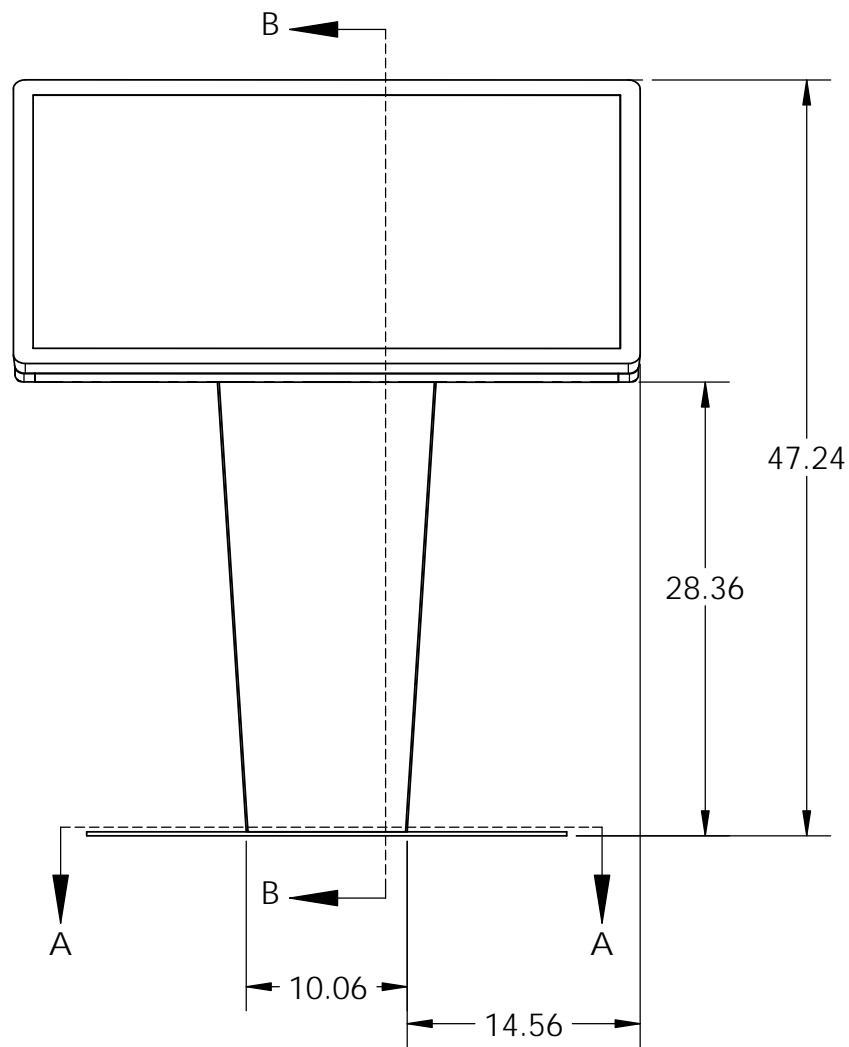


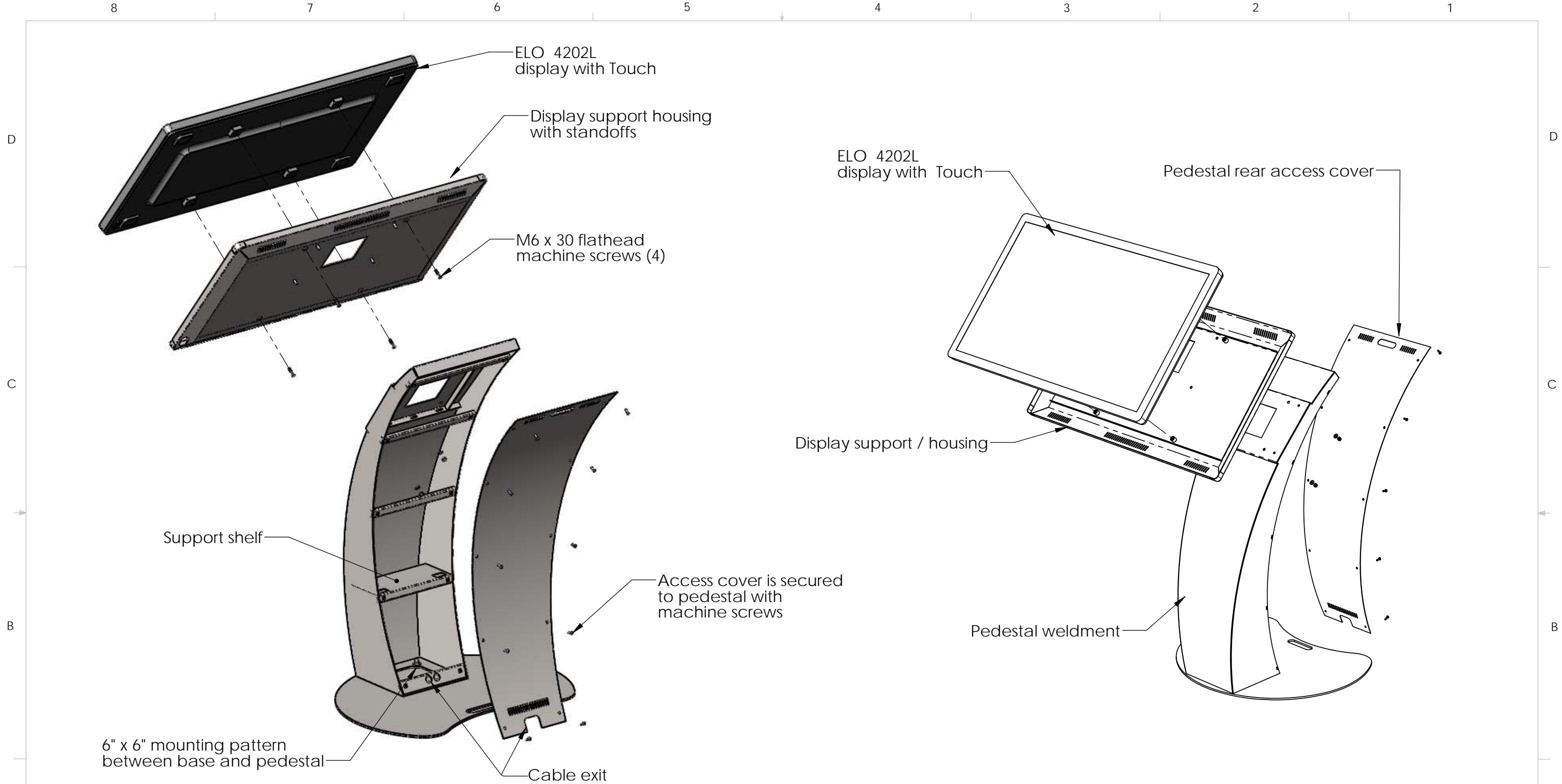
\* These dimensions represent the farthest reach location on this touch screen and are within recommendations for ADA compliance.



Notes:  
Welded steel construction.  
Weight: 165 pounds (with 42" elo display)

**PROPRIETARY AND CONFIDENTIAL**  
THE INFORMATION CONTAINED IN THIS DRAWING IS THE SOLE PROPERTY OF ITSENCLUSURES. ANY REPRODUCTION IN PART OR AS A WHOLE WITHOUT THE WRITTEN PERMISSION OF ITSENCLUSURES IS PROHIBITED.

UNLESS OTHERWISE SPECIFIED: DIMENSIONS ARE IN INCHES [mm] TOLERANCES: (include finish) ANGULAR: MACH ± .20° BEND ± 1.0° TWO PLACE DECIMAL ± .030 THREE PLACE DECIMAL ± .010 HOLE SIZES .xxx +.010 -.000		DRAWN	NAME	DATE	<b>ITSENCLUSURES</b> TITLE: Pedestal Kiosk, 42" elo fits elo part E222372
INTERPRET GEOMETRIC TOLERANCING PER:		CHECKED	eec	4/18/2014	
MATERIAL Cold rolled Steel		ENG APPR.			
FINISH Paint to PO		MFG APPR.			
NEXT ASSY		Q.A.			
USED ON	DO NOT SCALE DRAWING	COMMENTS:		SIZE <b>B</b> DWG. NO. DATA X7294-00 REV SCALE: 1:12 WEIGHT: SHEET 1 OF 3	

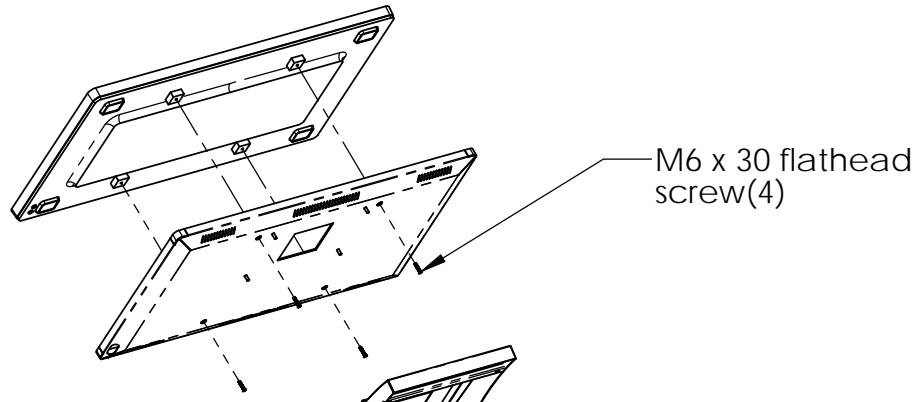


		UNLESS OTHERWISE SPECIFIED: DIMENSIONS ARE IN INCHES [mm] TOLERANCES: (include finish) ANGULAR: MACH ± .20° BEND ± 1.0° TWO PLACE DECIMAL ± .030 THREE PLACE DECIMAL ± .010 HOLE SIZES .xxx +.010 -.000		NAME	DATE	<b>ITSENCLUSURES</b> TITLE: Pedestal Kiosk, 42" elo fits elo part E222372
		DRAWN	eec	4/18/2014		
		CHECKED				
		ENG APPR.				
		MFG APPR.				
		INTERPRET GEOMETRIC TOLERANCING PER:		Q.A.		
		MATERIAL Cold rolled Steel		COMMENTS:		
		FINISH Paint to PO				
NEXT ASSY	USED ON			SIZE	DWG. NO.	REV
				<b>B</b>	<b>DATA X7294-00</b>	
APPLICATION		DO NOT SCALE DRAWING		SCALE: 1:12	WEIGHT:	SHEET 2 OF 3

**PROPRIETARY AND CONFIDENTIAL**  
 THE INFORMATION CONTAINED IN THIS DRAWING IS THE SOLE PROPERTY OF ITSENCLUSURES. ANY REPRODUCTION IN PART OR AS A WHOLE WITHOUT THE WRITTEN PERMISSION OF ITSENCLUSURES IS PROHIBITED.

D

D



M6 x 30 flathead screw(4)

**X7294-00 pedestal assembly sequence:**

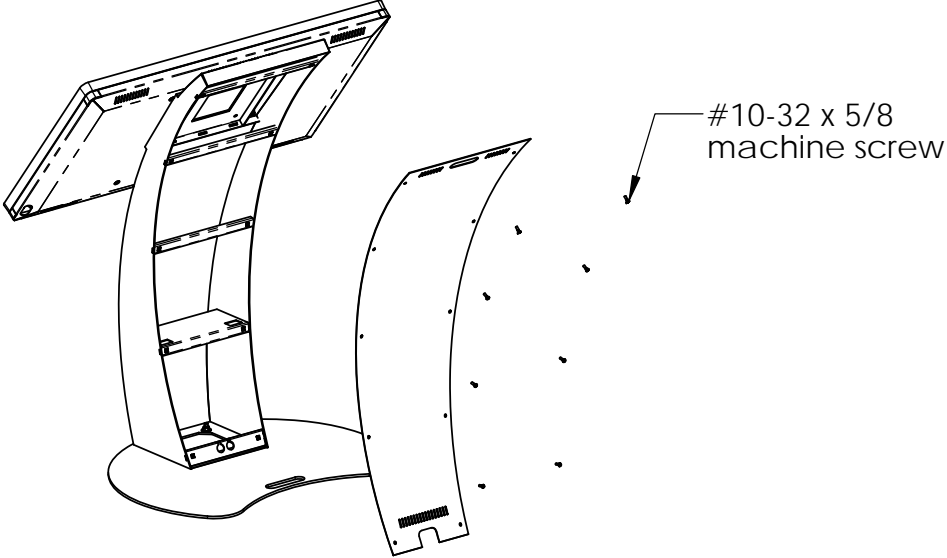
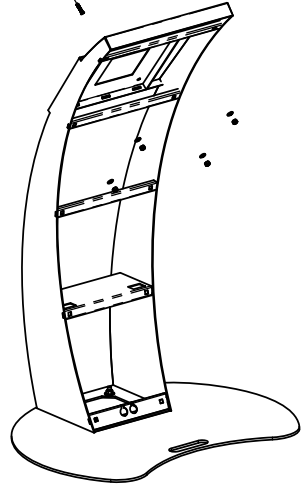
- Tools:**  
 #3 Phillips screwdriver  
 #2 Phillips screwdriver  
 7/16" size hex socket (fits 1/4-20)

The pedestal is delivered assembled complete (less any electronics). Pay attention during disassembly of the covers as these parts will be returned to their original positions and the attachment hardware reused. (spare hardware included)

- 1 Position the pedestal near the installation location and remove the rear cover, retaining the ten #10-32 machine screws for use in reassembly.
- 2 Remove the display housing by removing four 1/4-20 hex nuts and washers, accessible through the rear opening.
- 3 Attach the necessary cables to the elo display and secure.  
 NOTE: Route cables upward and replace display connector cover.

C

C

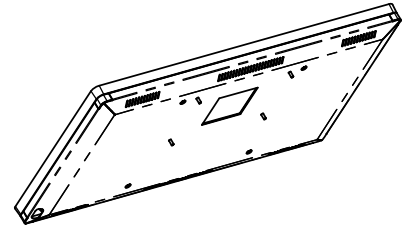


#10-32 x 5/8 machine screw

- 4 Find the four M6 x 30mm flat head machine screws in preparation for installation of the display. With the display on its face on a flat surface, place the housing over the rear of the display while routing your cables through the square opening. Be sure the small slot is aligned with the OSD controls on the back of the display. Insert the four M6 flat head screws through the rear of the display housing into the threaded holes in the rear of the display and tighten securely.

B

B



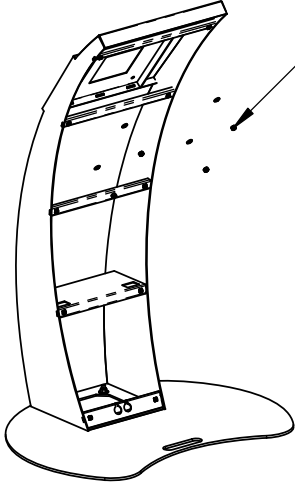
1/4-20 HEX nut and washer (4)

- 5 With the display and housing secure, insert the extending cables through the square hole in the pedestal and align the four studs at the rear of the housing into the mating holes on the pedestal. Attach with the 4 pieces of 1/4-20 hardware removed in step 2.

- 6 Connect and test you power, video, and USB connections prior to returning the rear cover to the original position. The display OSD buttons can be accessed through the small slot on the right rear of the housing.

A

A



**PROPRIETARY AND CONFIDENTIAL**  
 THE INFORMATION CONTAINED IN THIS DRAWING IS THE SOLE PROPERTY OF ITSENCLUSURES. ANY REPRODUCTION IN PART OR AS A WHOLE WITHOUT THE WRITTEN PERMISSION OF ITSENCLUSURES IS PROHIBITED.

		UNLESS OTHERWISE SPECIFIED: DIMENSIONS ARE IN INCHES [mm] TOLERANCES: (include finish) ANGULAR: MACH ± .20° BEND ± 1.0° TWO PLACE DECIMAL ± .030 THREE PLACE DECIMAL ± .010 HOLE SIZES .xxx +.010 -.000		NAME	DATE	<b>ITSENCLUSURES</b> TITLE: Pedestal Kiosk, 42" elo fits elo part E222372
		DRAWN	eec	4/18/2014		
		CHECKED				
		ENG APPR.				
		MFG APPR.				
		Q.A.				
		COMMENTS:				
		INTERPRET GEOMETRIC TOLERANCING PER:				
		MATERIAL Cold rolled Steel				
		FINISH Paint to PO				
NEXT ASSY	USED ON					
APPLICATION		DO NOT SCALE DRAWING				
SIZE	DWG. NO.			REV		
<b>B</b>	<b>DATA X7294-00</b>					
SCALE: 1:12	WEIGHT:			SHEET 3 OF 3		