

STANDARD FEATURES :

19" RACK Type 12 ENCLOSURE
24 wide x 38 deep x 80 tall

ENCLOSURES MAY BE INTERCONNECTED

12 ga. STEEL FRAME and DOORS
16 Ga. STEEL SIDE PANELS

42u (73.5") of PANEL MOUNTING SPACE
FRONT AND REAR RAILS IN HALF HEIGHT SETS
SQUARE PUNCHED RAILS ACCEPT CAGE NUTS

MOUNTING RAILS FULLY ADJUSTABLE FRONT TO REAR

INSIDE SPACE 19.5 (w) x 79.5 (h) x 35.8 (d)

PARTIAL VIEW GLASS FRONT DOOR

DOORS HAVE KEY LOCKING 3-POINT LATCHES

DOOR OPENINGS 19.5 x 73.5

DUST-TIGHT, REMOVABLE SIDE PANELS

TOP ACCESS CABLE ENTRY

4.50" DIAMETER OPENINGS (2) w/COVERS
Supports HILTI 4" Speed Sleeve (CP 653)

4 CASTERS, 2 locking OR

FIXED LEGS (for bolt down)

ANTI-TIP LEGS (for door mounted AC)

LIFT EYES

OPTIONS AVAILABLE:

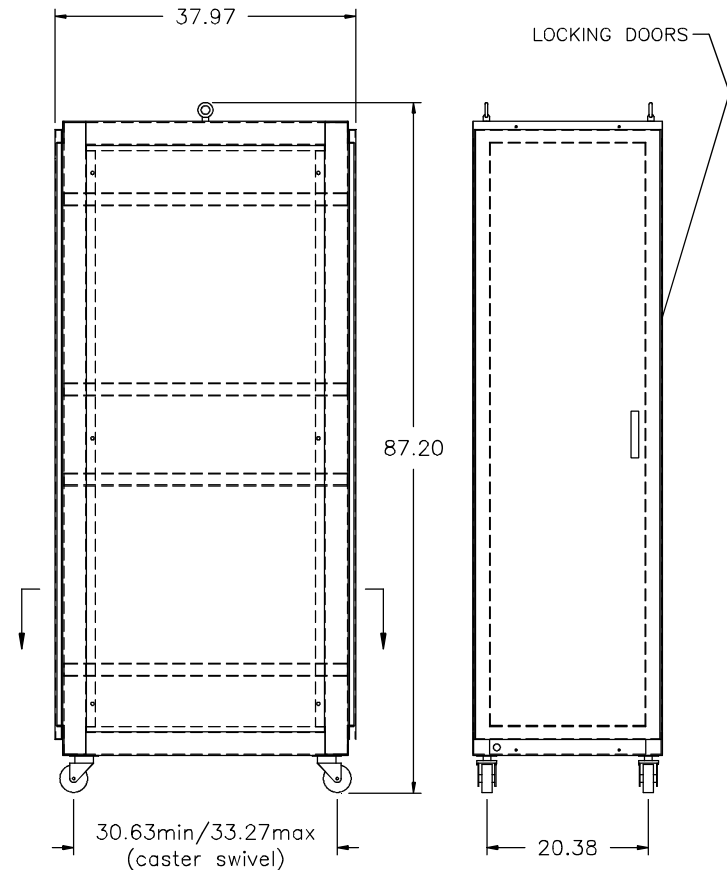
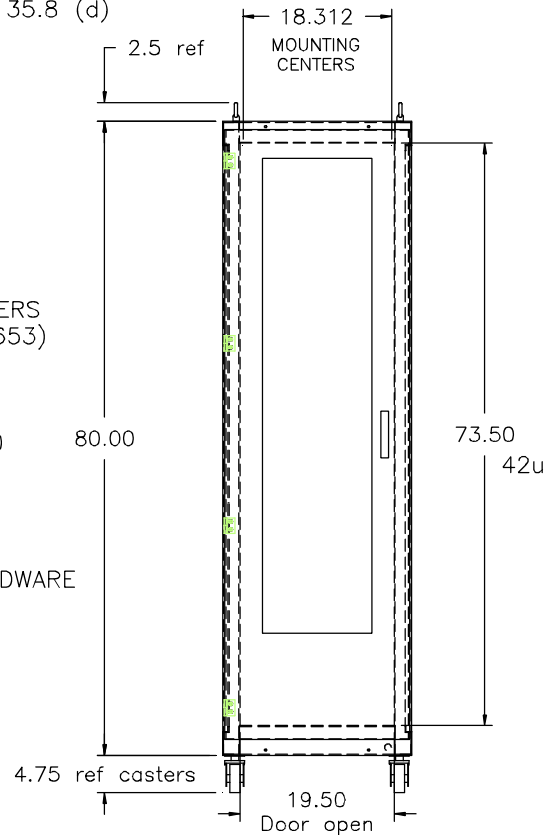
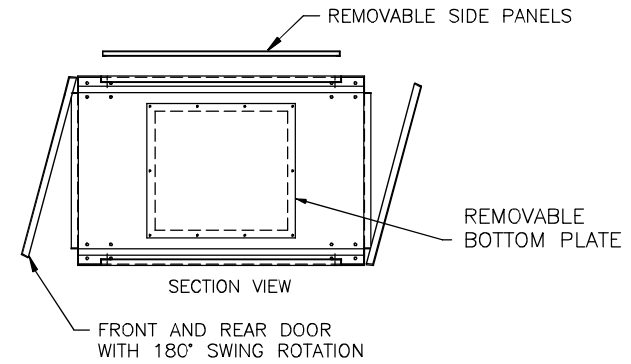
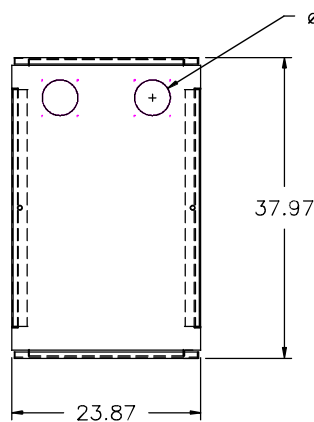
#10-32 or 6mm RAIL MOUNTING HARDWARE

19" RACK ACCESSORIES

FILTERED FAN KITS

A/C OPTIONS

INTERCONNECTION KIT



STANDARD PRODUCT DATA SHEET
Dimensions are in inches. Specifications are subject to change without notice.