

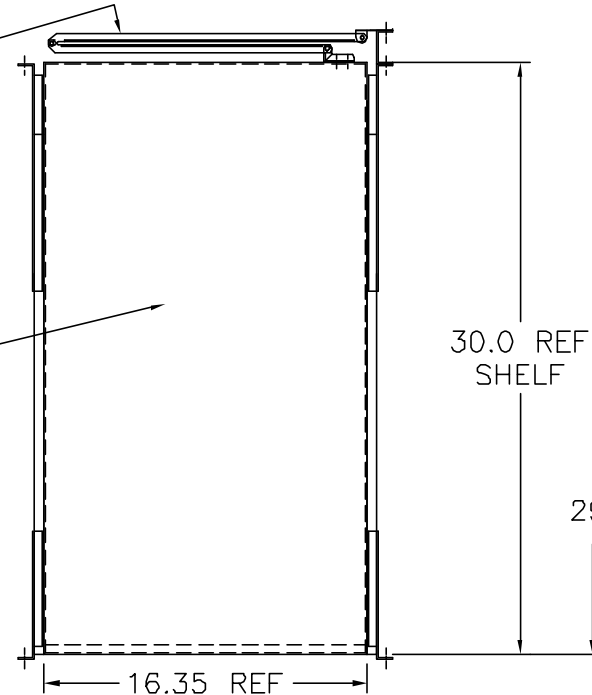
SS419: SLIDING SHELF ONLY (LESS CABLE SUPPORT)  
SS419CS: SLIDING SHELF W/CABLE SUPPORT

CABLE SUPPORT

SHELF

30.0 REF SHELF

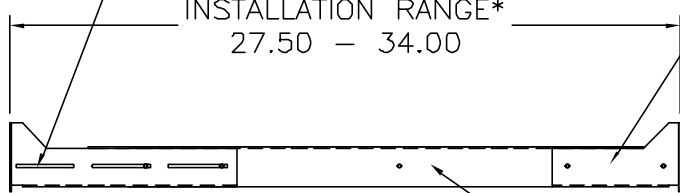
29" SLIDE\* EXTENSION



REAR MOUNT

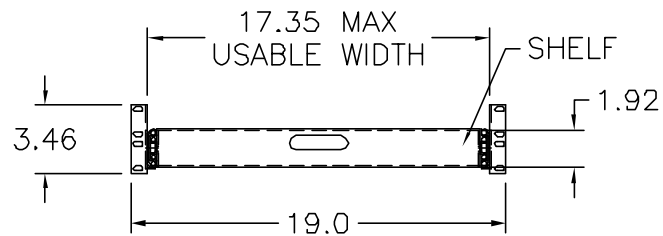
FRONT MOUNT (FIXED LOCATION)

INSTALLATION RANGE\*  
27.50 - 34.00



LEFT SIDE

SLIDE



\*RESTRICTED WHEN CABLE SUPPORT IS USED.

STANDARD PRODUCT DATA SHEET  
Dimensions are in inches. Specifications are subject to change without notice.