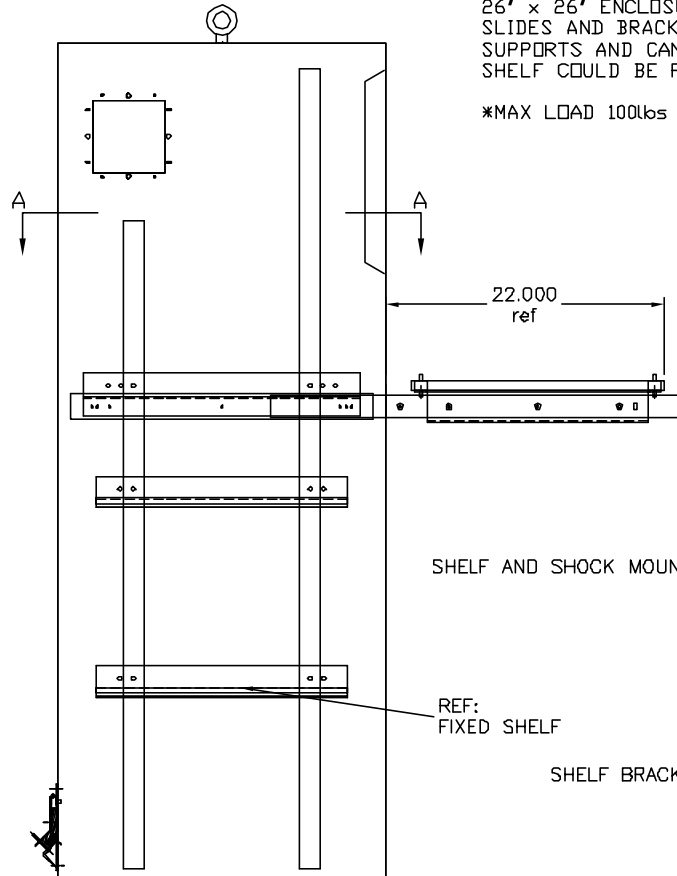


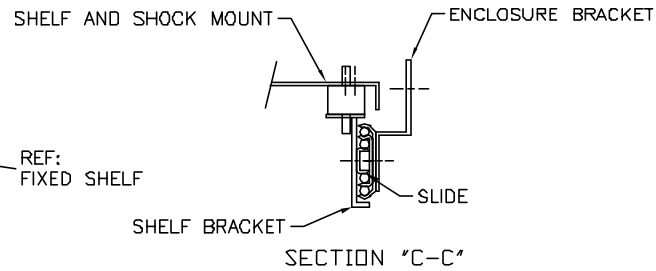
SECTION "A-A"

NOTE:
SLIDING SHELF BRACKETS WILL CONVERT SHELF, FROM
26' x 26' ENCLOSURES INTO SLIDING SHELF.
SLIDES AND BRACKETS REPLACE EXISTING SHELF
SUPPORTS AND CAN BE MOUNTED WHERE ANY FIXED
SHELF COULD BE POSITIONED.

*MAX LOAD 100lbs



SECTION "B-B"



SECTION "C-C"

STANDARD PRODUCT DATA SHEET
Dimensions are in inches. Specifications are subject to change without notice.