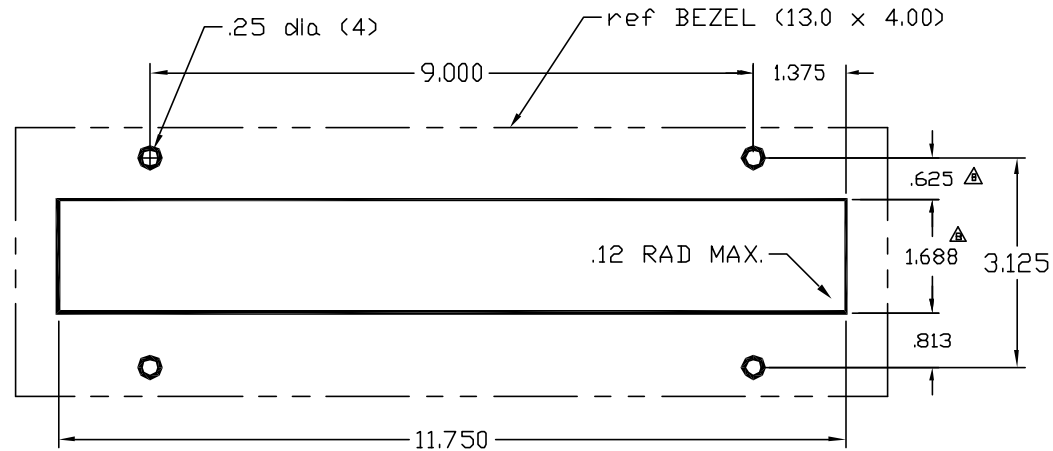
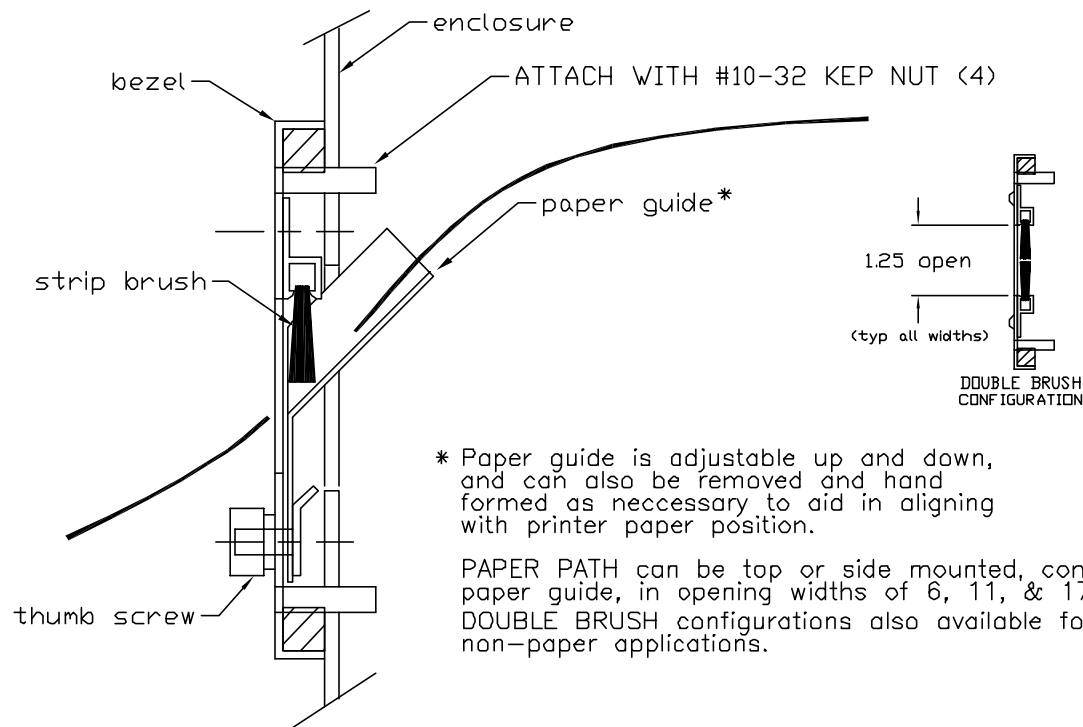


INTENDED FOR USE WITH PAPER 10 1/2 inches WIDE OR LESS



PAPER PATH 11 enclosure cutout



* Paper guide is adjustable up and down, and can also be removed and hand formed as necessary to aid in aligning with printer paper position.

PAPER PATH can be top or side mounted, comes with the paper guide, in opening widths of 6, 11, & 17 inches. DOUBLE BRUSH configurations also available for non-paper applications.