

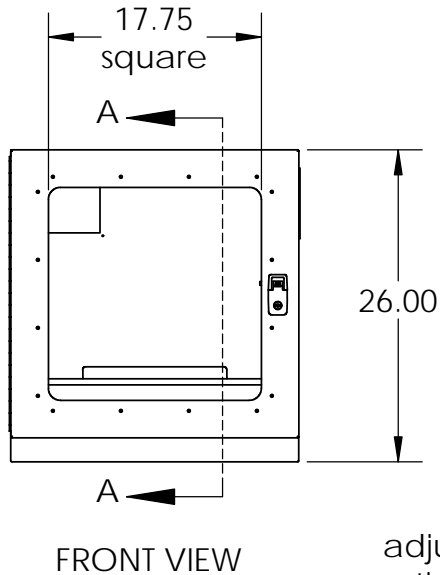
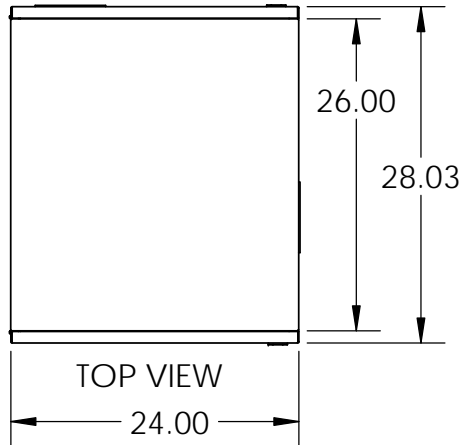
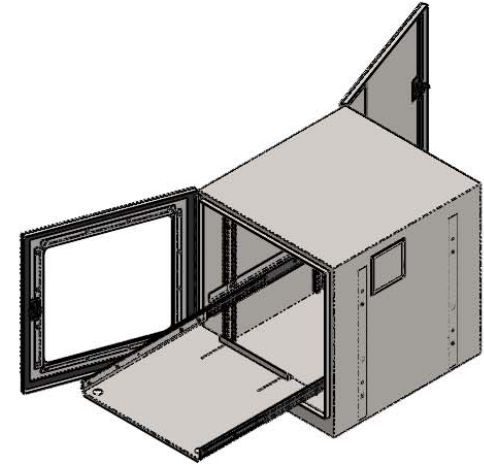
Printer enclosure Model PB262426-12
26H x 24W x 28D, outside dimensions.
Enclosure body: 14 ga. painted steel includes capability
for a heater mount, rear cable seal passage. Locking
Front and Rear doors. Front door includes a removable
polycarbonate window easily modified for a label slot.

Sliding shelf, 22" extended open, 80 pound capacity *

* It may be necessary to secure the enclosure to a
mounting surface in order to prevent the enclosure from
tipping with a loaded slide fully extended.

Max printer dimensions 21.0 High x 20.0 Wide x 22.0 Deep

Optional filtered fan creates positive pressure inside the
enclosure that will prevent dust entry at the label access
slot.



adjusts
vertically
3" minimum

