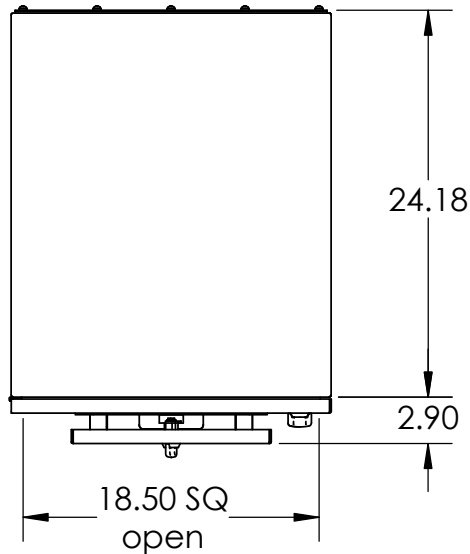


ITSENCLUSURES

271 Westech Drive, Mt. Pleasant, PA 15666
1-800-423-9911 ♦ info@itsenclosures.com

model **PB202024-4X**

Printer enclosure, w/ HPD access



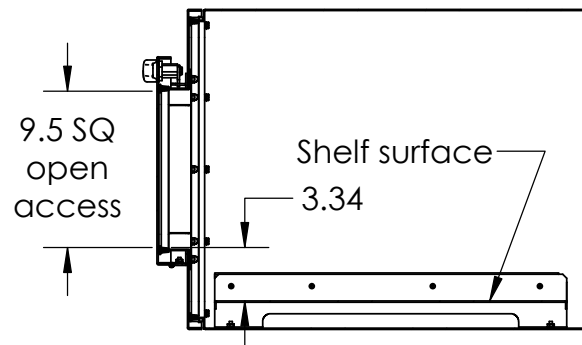
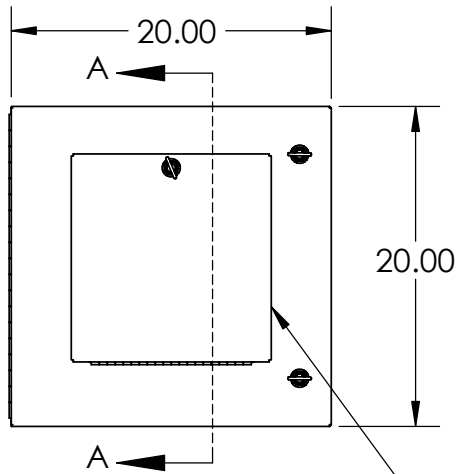
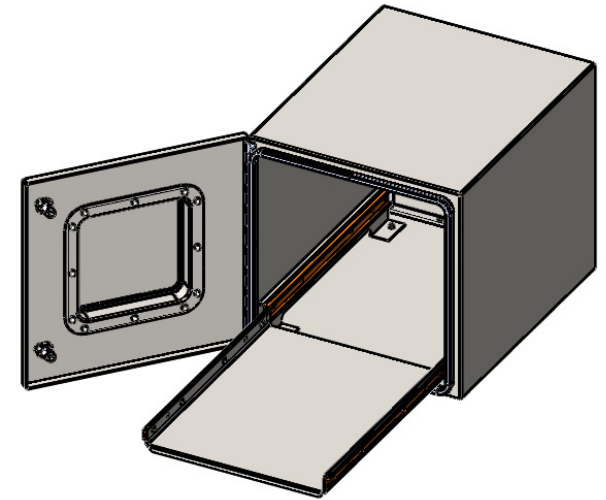
Printer enclosure, PB202024-4X:
304 stainless steel.
20" wide x 20" high x 27" deep (outside dimensions)

Enclosure body and doors: 14 ga. 304 stainless

Sliding shelf: 20" extension, 80 pounds capacity*

* It may be necessary to secure this enclosure to its mounting surface in order to prevent the enclosure from tipping with the loaded slide extended.

Max printer space: 17" High x 16" Wide x 20" Deep



Access Door

SECTION A-A

