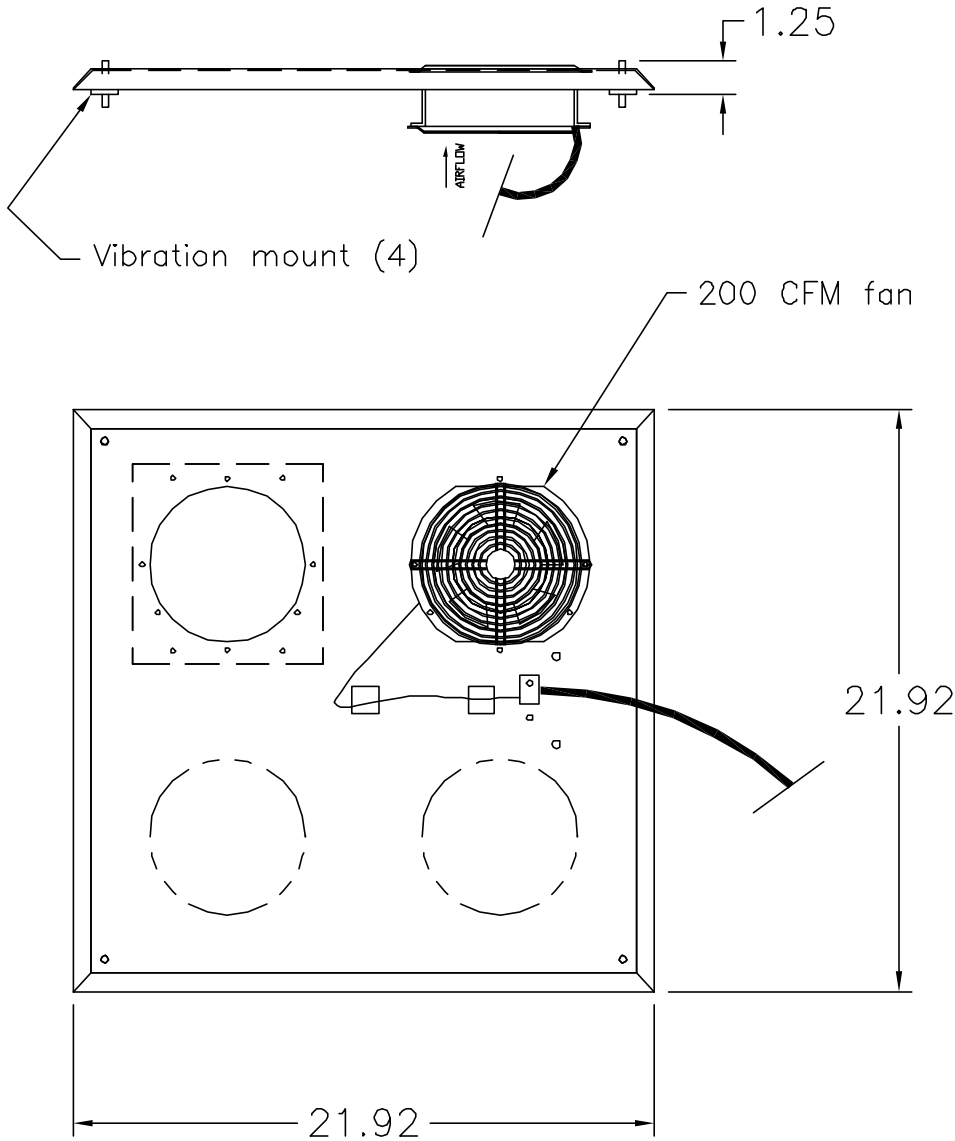


Model Number Qty of Fans

NSFK-TM1-200	(1)	-	200cfm fan 115V, 60Hz, .45 amp
NSFK-TM2-200	(2)	-	200cfm fans 115V, 60 Hz, .9 amp
NSFK-TM4-200	(4)	-	200cfm fans 115V, 60Hz, 1.8 amps



NSFK-TM1-200 illustrated

NOTE:

Installed fan assembly replaces enclosure top ventilated panel and adds 1.25 inches to the height of the enclosure.

14 ga. steel construction with textured paint finish to match the enclosure.

STANDARD PRODUCT DATA SHEET
Dimensions are in inches. Specifications are subject to change without notice.