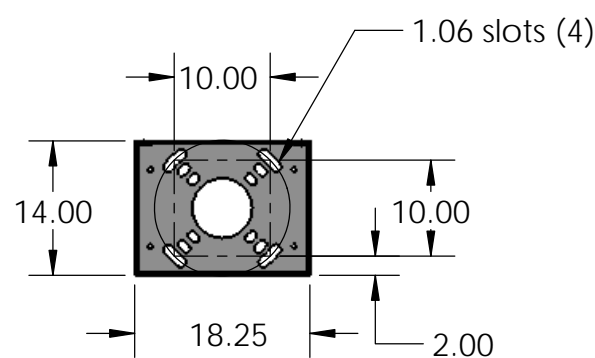
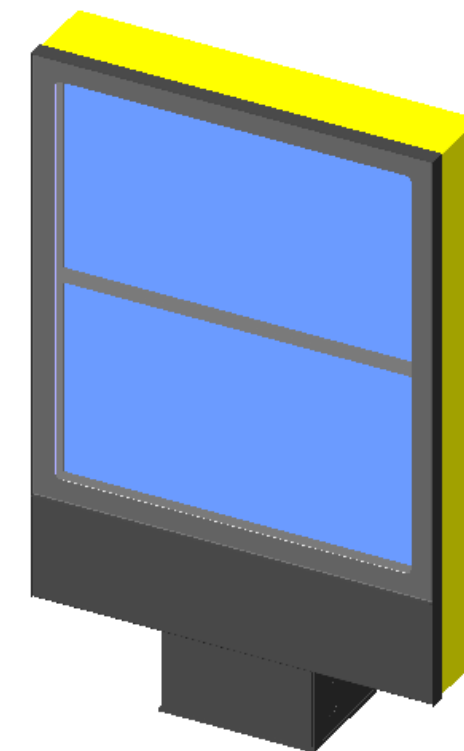
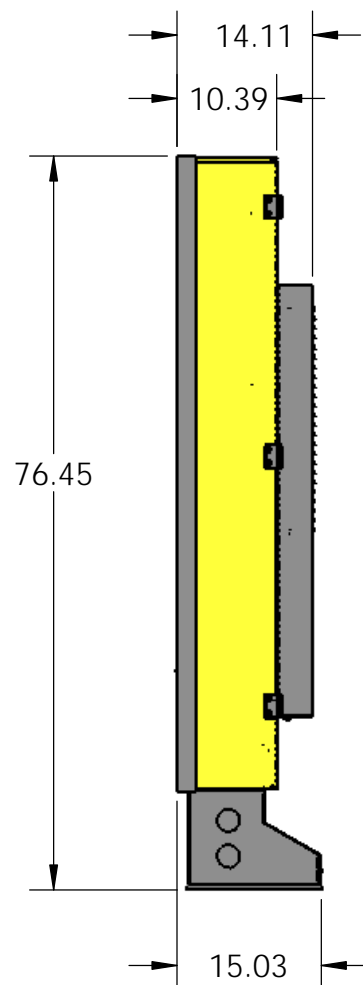
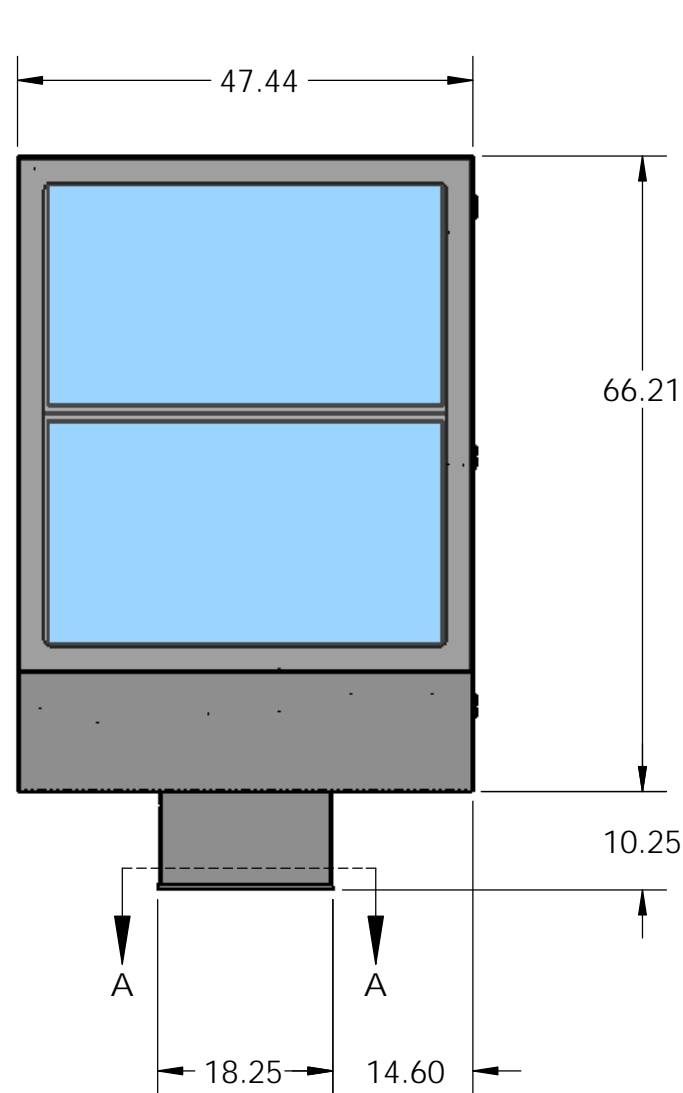


REV.	DESCRIPTION	DATE



SECTION A-A

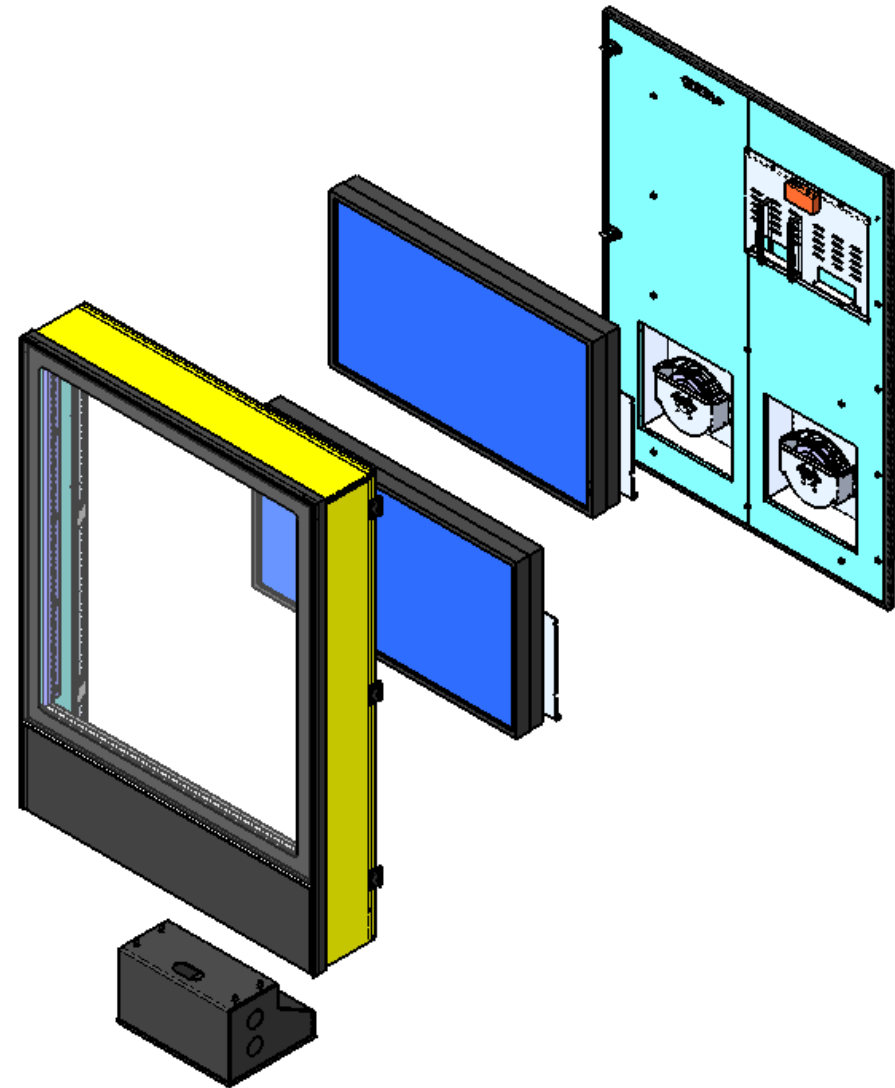
VSA-1x2-FANCOOL

NOTES:

- 1) The enclosure body is marine grade aluminum sheet welded and sealed to provide a water tight construction, with a black polyester powder paint finish. The side and top cover panels install at installation and offer a customer specific accent color to the enclosure.
- 2) The pedestal assembly is also sheet and structural aluminum with a black polyester powder finish.
- 3) The viewing window is laminated glass with anti-reflective coating on both sides, providing 99% light transmission and UV protection to the LCD.
- 4) Cooling is provided through a rear door mounted air filtration supported by internally mounted ventilation fans.
- 5) A Rear door provides access to internal mounted LCD and electronics, as well as power and data entry locations.
- 6) This enclosure supports two 47" NEC high bright displays, in landscape.

PROPRIETARY AND CONFIDENTIAL
 THE INFORMATION CONTAINED IN THIS DRAWING IS THE SOLE PROPERTY OF ITSENCLLOSURES. ANY REPRODUCTION IN PART OR AS A WHOLE WITHOUT THE WRITTEN PERMISSION OF ITSENCLLOSURES IS PROHIBITED.

UNLESS OTHERWISE SPECIFIED: DIMENSIONS ARE IN INCHES [mm] TOLERANCES: (include finish) ANGULAR: MACH ± .20° BEND ± 1.0° TWO PLACE DECIMAL ± .030 THREE PLACE DECIMAL ± .010 HOLE SIZES .xxx +.010 -.000		DRAWN	NAME	DATE	ITSENCLLOSURES TITLE: QSR, 1x2 enclosure landscape, NEC X474HB SIZE B DWG. NO. DATA X7823-00 REV SCALE: 1:20 WEIGHT: SHEET 1 OF 3
		CHECKED	eec	8/12/2013	
		ENG APPR.			
		MFG APPR.			
		Q.A.			
		COMMENTS:			
NEXT ASSY	USED ON	MATERIAL Aluminum			
		FINISH TBD			
APPLICATION		DO NOT SCALE DRAWING			



Application parameters for VSA-1x2-FANCOOL enclosure

VSA-1x2-FANCOOL, display enclosure, UL-listing pending, Type 3R rating with ambient air cooling.

Viewing opening63.2" diag, 2 landscape displays
 Enclosure assembly outside dimensions..... 47.5" W x 76.5" H x 15.1" D
 Video input.....VGA, DVI, HDMI, (see display specs)
 Electrical recommendation1 circuit, 120 VAC, 20 Amps

Cooling circuit (load) 120 volt.....2.3 Amps
 Electronic circuit (load) 120 volt *.....4.3 Amps (see note*)
 Complete assembly weight, with displays..... 375 Lbs.

Required LCD DISPLAYS (2 units).....NEC Displays X474HB
 Display dimensions42.7" W x 24.7" H x 5.8" D
 Display brightness, MAX1400 / 2000 nit

INSTALLATION ENVIRONMENT

Outdoor wet locations, with direct solar exposure

Ambient Temperature range

VSA-1x2-FANCOOL.....-28° to 43°C (-20° to 110°F)

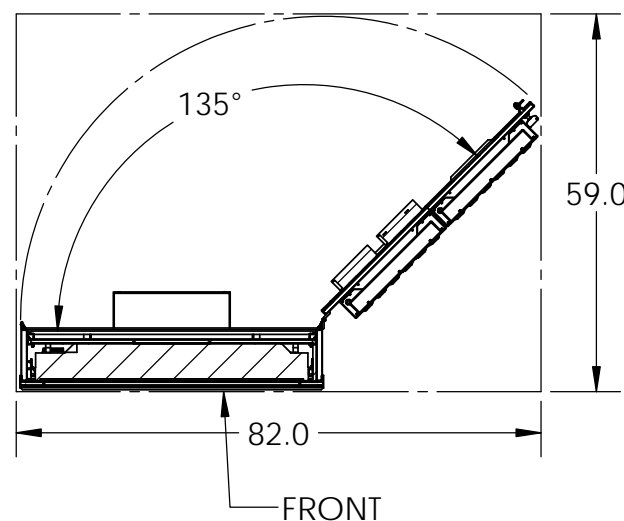
Warranty.....3 years standard on all components

* Load listed for displays only.

Small format PC or media players may be installed inside the enclosure, subject to their heat tolerance of 50C degrees.

This enclosure is also designed to support the use of Cat-5 based extenders for media players installed remote from the enclosure.

"RapidRun" cables may be supported with some restrictions.



FRONT
 This block represents the minimum space footprint of the 1x2 enclosure with rear cover open. 135 degree rotation is required to install/remove the LCD displays.

PROPRIETARY AND CONFIDENTIAL
 THE INFORMATION CONTAINED IN THIS DRAWING IS THE SOLE PROPERTY OF ITSENCLLOSURES. ANY REPRODUCTION IN PART OR AS A WHOLE WITHOUT THE WRITTEN PERMISSION OF ITSENCLLOSURES IS PROHIBITED.

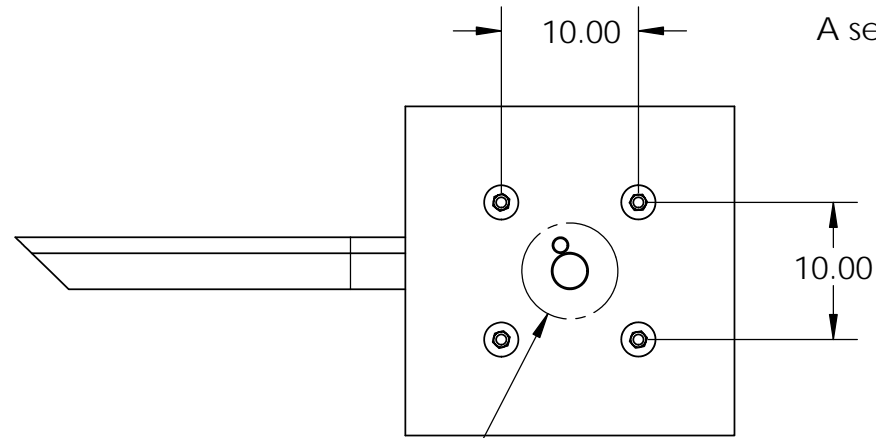
		UNLESS OTHERWISE SPECIFIED: DIMENSIONS ARE IN INCHES [mm] TOLERANCES: (include finish) ANGULAR: MACH ± .20° BEND ± 1.0° TWO PLACE DECIMAL ± .030 THREE PLACE DECIMAL ± .010 HOLE SIZES .xxx +.010 -.000		NAME	DATE	ITSENCLLOSURES TITLE: QSR, 1x2 enclosure landscape NEC, X474HB SIZE DWG. NO. REV B DATA X7823-00
		DRAWN	eec	8/12/2013		
		CHECKED				
		ENG APPR.				
		MFG APPR.				
		INTERPRET GEOMETRIC TOLERANCING PER:		Q.A.		
		MATERIAL Aluminum		COMMENTS:		
		FINISH TBD				
NEXT ASSY	USED ON					
APPLICATION		DO NOT SCALE DRAWING				
		SCALE: 1:20	WEIGHT:		SHEET 2 OF 3	

D

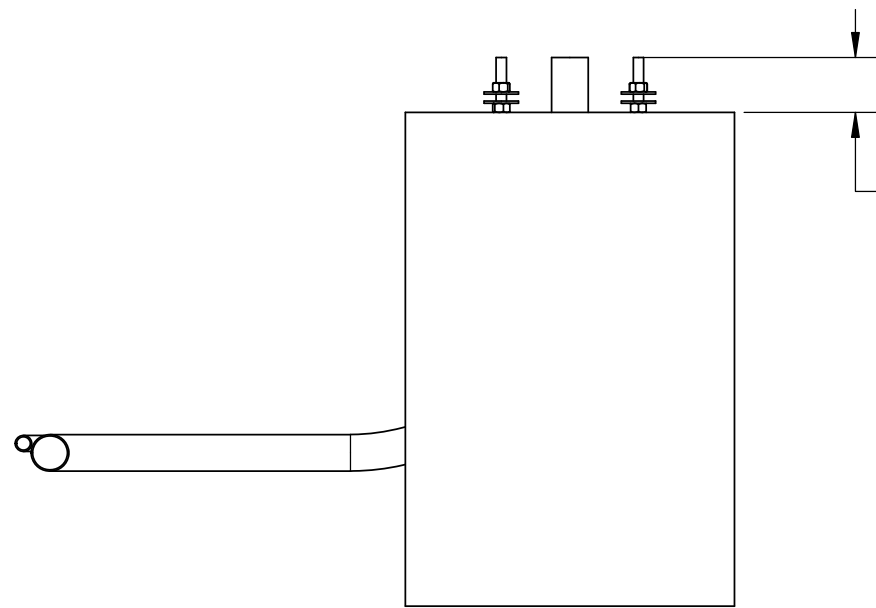
C

B

A



10.00
10.00
ϕ7.00 reference
Conduit must protrude within a 7.0 inch circle centered in the bolt pattern to clear the mounting pedestal

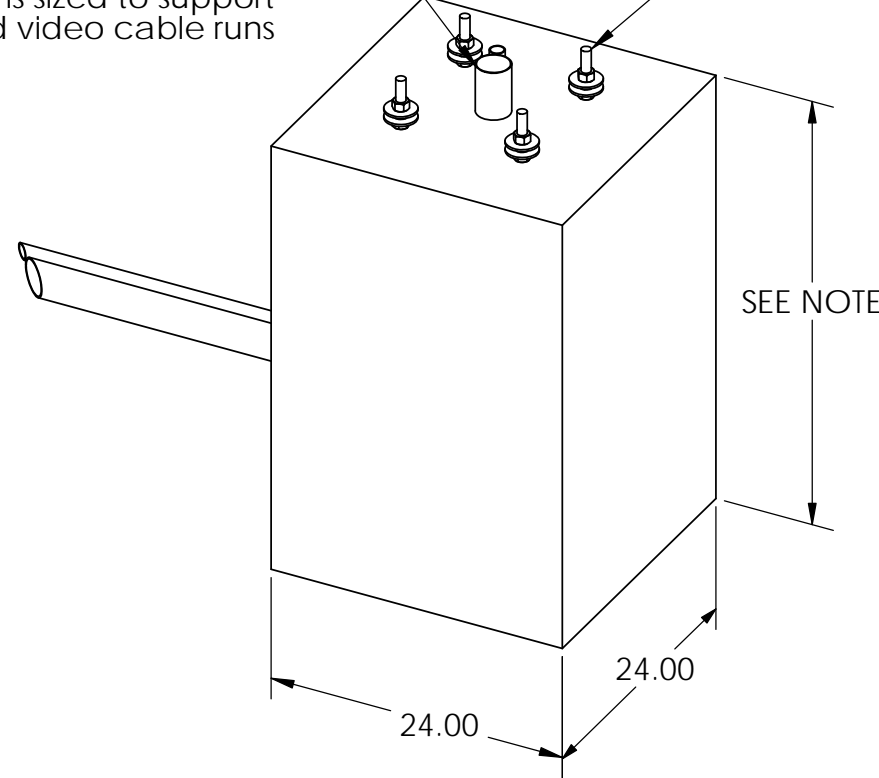


4.00 inch bolt extension to allow use of leveling nuts
2.5 inch minimum length for mounting directly to concrete.

A separate conduit for data cables that is sized to support the planned network and video cable runs

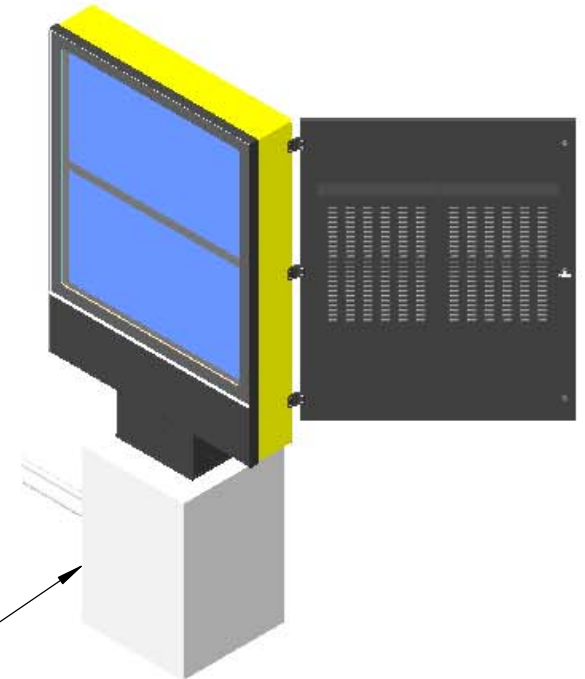
Conduit:
Electrical power conduit to support (1 or 2 circuits) 120VAC, 20 Amps also

3/4" diameter steel threaded bolts 16" deep (4) see pattern



SEE NOTE

24.00
24.00



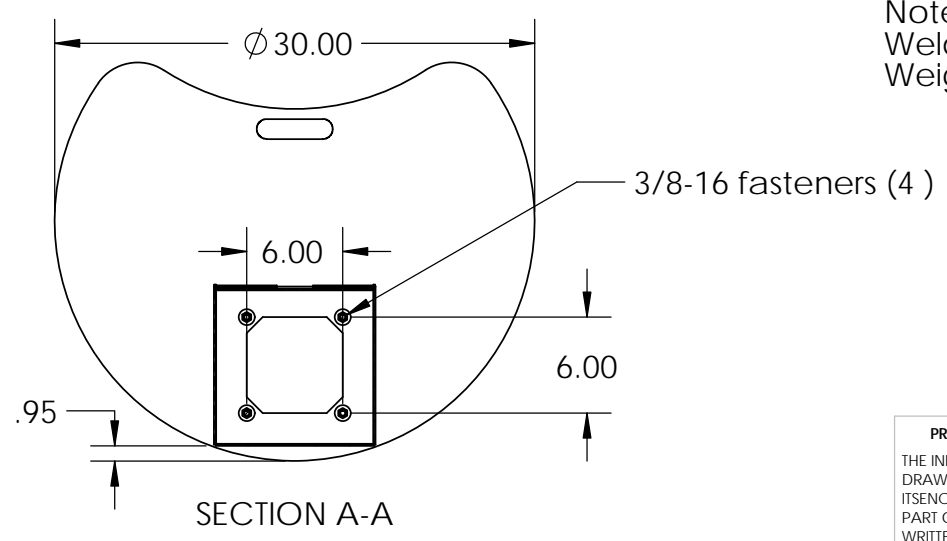
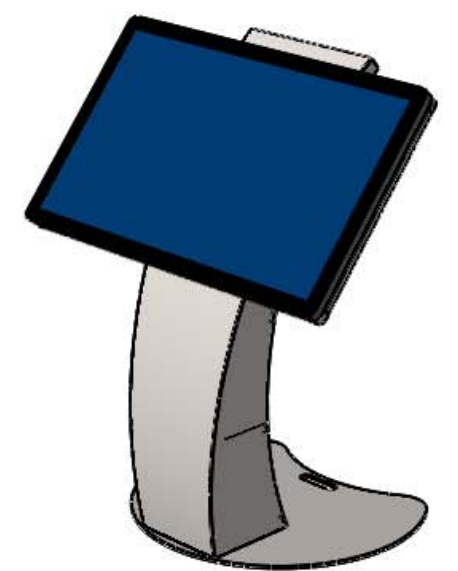
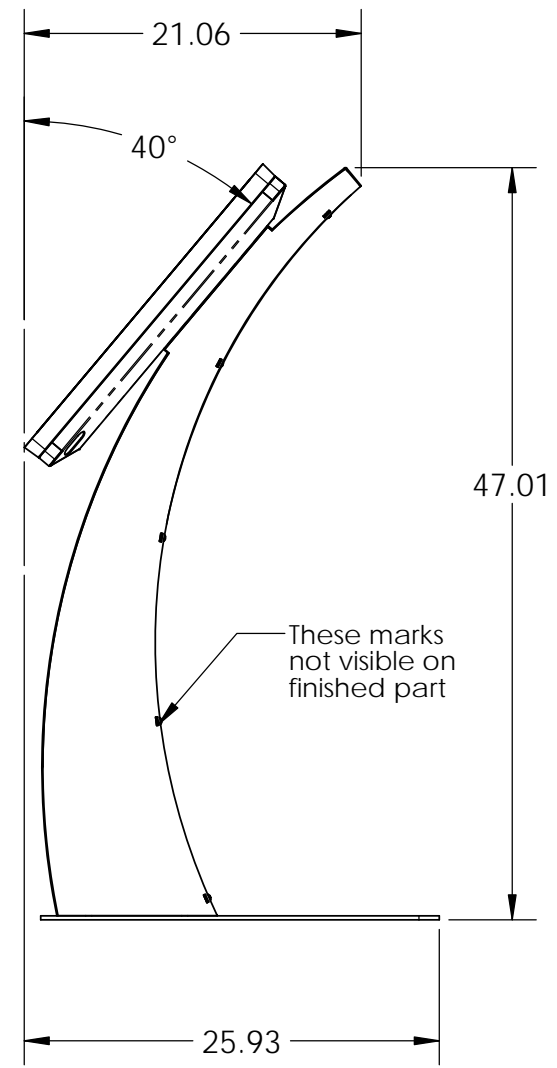
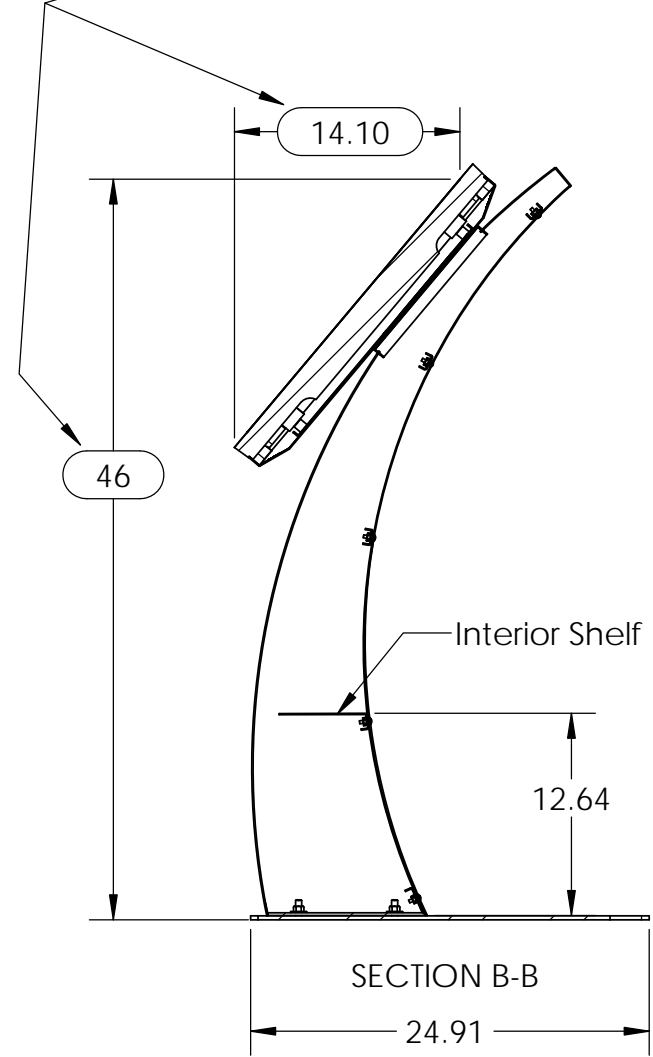
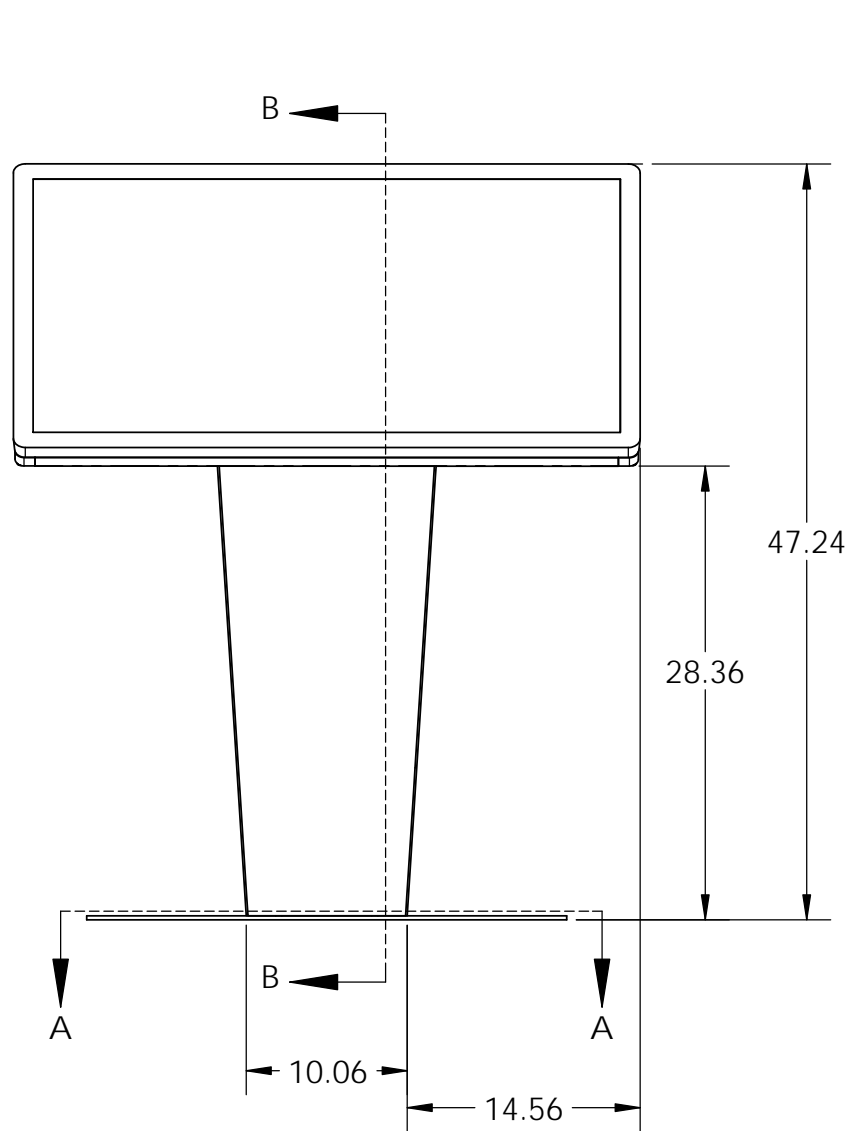
NOTE:
Concrete footing with mass and depth as required by local codes, exceeding frost depth, but not less than 24" deep

Finish pad top at or above grade.
Finish level if direct mounting is required.

PROPRIETARY AND CONFIDENTIAL
THE INFORMATION CONTAINED IN THIS DRAWING IS THE SOLE PROPERTY OF ITSENCLUSURES. ANY REPRODUCTION IN PART OR AS A WHOLE WITHOUT THE WRITTEN PERMISSION OF ITSENCLUSURES IS PROHIBITED.

		UNLESS OTHERWISE SPECIFIED:		NAME	DATE	ITSENCLUSURES TITLE: QSR, 1x2 enclosure landscape NEC, X474HB SIZE B DWG. NO. DATA X7823-00 REV SCALE: 1:32 WEIGHT: SHEET 3 OF 3
		DIMENSIONS ARE IN INCHES [mm]		DRAWN	eec 8/12/2013	
		TOLERANCES: (include finish)		CHECKED		
		ANGULAR: MACH ± .20° BEND ± 1.0°		ENG APPR.		
		TWO PLACE DECIMAL ± .030		MFG APPR.		
		THREE PLACE DECIMAL ± .010		Q.A.		
		HOLE SIZES .xxx +.010 -.000		COMMENTS:		
		INTERPRET GEOMETRIC TOLERANCING PER:				
		MATERIAL				
		Aluminum				
		FINISH				
		TBD				
NEXT ASSY	USED ON					
APPLICATION		DO NOT SCALE DRAWING				

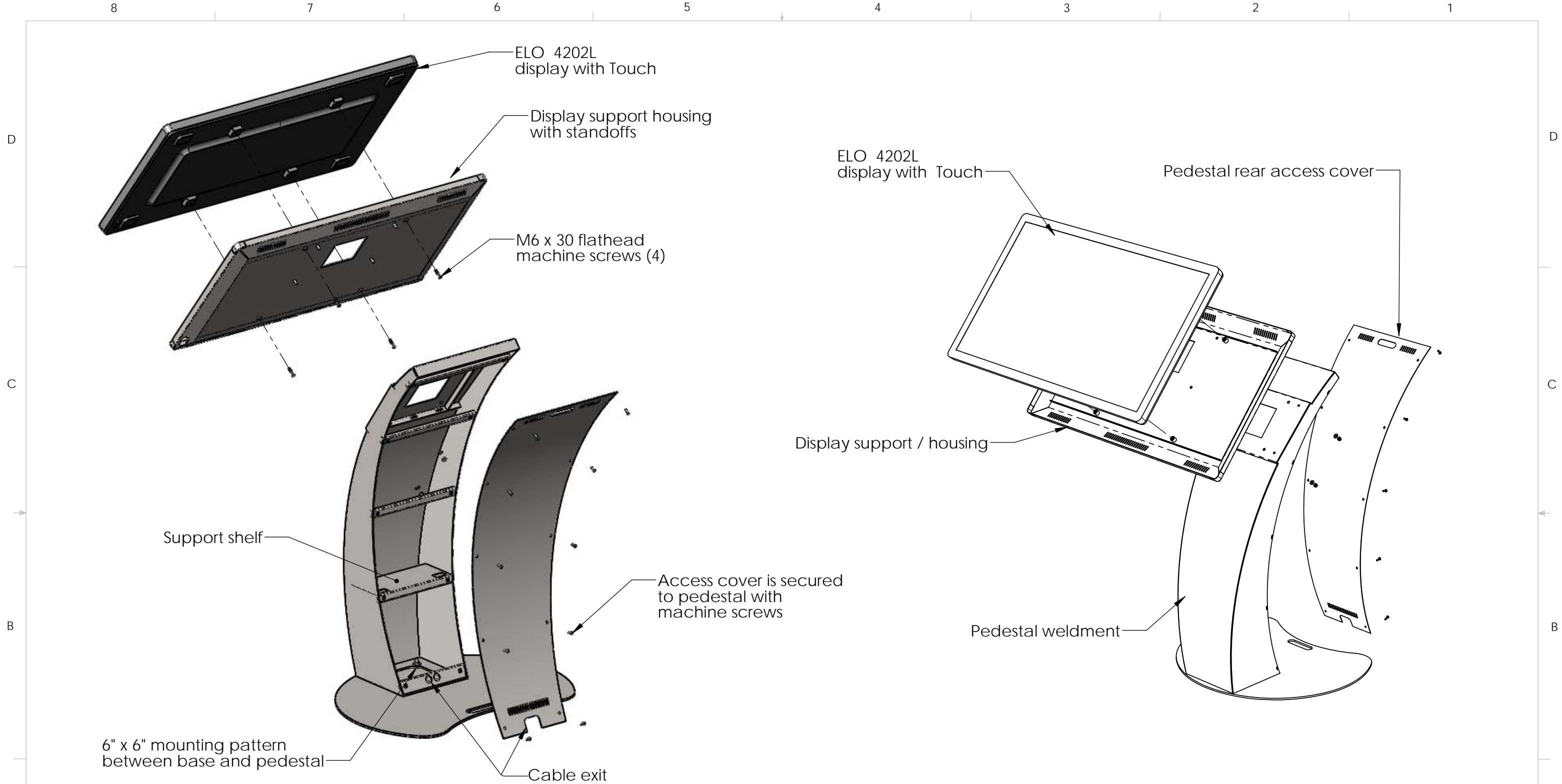
* These dimensions represent the farthest reach location on this touch screen and are within recommendations for ADA compliance.



Notes:
Welded steel construction.
Weight: 165 pounds (with 42" elo display)

PROPRIETARY AND CONFIDENTIAL
THE INFORMATION CONTAINED IN THIS DRAWING IS THE SOLE PROPERTY OF ITSENCLUSURES. ANY REPRODUCTION IN PART OR AS A WHOLE WITHOUT THE WRITTEN PERMISSION OF ITSENCLUSURES IS PROHIBITED.

		UNLESS OTHERWISE SPECIFIED: DIMENSIONS ARE IN INCHES [mm] TOLERANCES: (include finish) ANGULAR: MACH ± .20° BEND ± 1.0° TWO PLACE DECIMAL ± .030 THREE PLACE DECIMAL ± .010 HOLE SIZES .xxx +.010 -.000		NAME	DATE	ITSENCLUSURES TITLE: Pedestal Kiosk, 42" elo fits elo part E222372
		DRAWN	eec	4/18/2014		
		CHECKED				
		ENG APPR.				
		MFG APPR.				
		INTERPRET GEOMETRIC TOLERANCING PER:		COMMENTS:		
		MATERIAL Cold rolled Steel				
		FINISH Paint to PO				
NEXT ASSY	USED ON			SIZE	DWG. NO.	REV
				B	DATA X7294-00	
APPLICATION		DO NOT SCALE DRAWING		SCALE: 1:12	WEIGHT:	SHEET 1 OF 3



		UNLESS OTHERWISE SPECIFIED:		NAME	DATE	ITSENCLUSURES	
		DIMENSIONS ARE IN INCHES [mm]		DRAWN	eec 4/18/2014		
		TOLERANCES: (include finish)		CHECKED		SIZE DWG. NO. REV B DATA X7294-00	
		ANGULAR: MACH ± .20° BEND ± 1.0°		ENG APPR.			
		TWO PLACE DECIMAL ± .030		MFG APPR.		COMMENTS:	
		THREE PLACE DECIMAL ± .010		Q.A.			
		HOLE SIZES .xxx +.010 -.000				APPLICATION	
		INTERPRET GEOMETRIC TOLERANCING PER:					
		MATERIAL				PROPRIETARY AND CONFIDENTIAL THE INFORMATION CONTAINED IN THIS DRAWING IS THE SOLE PROPERTY OF ITSENCLUSURES. ANY REPRODUCTION IN PART OR AS A WHOLE WITHOUT THE WRITTEN PERMISSION OF ITSENCLUSURES IS PROHIBITED.	
		FINISH					
		Paint to PO				DO NOT SCALE DRAWING	

A

A

D

D

C

C

B

B

8

7

6

5

4

3

2

1

8

7

6

5

4

3

2

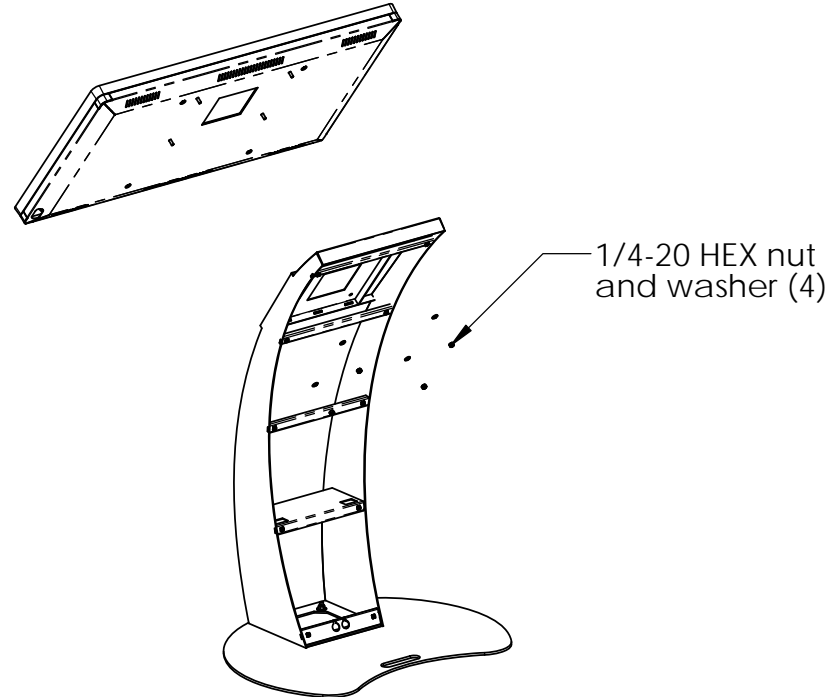
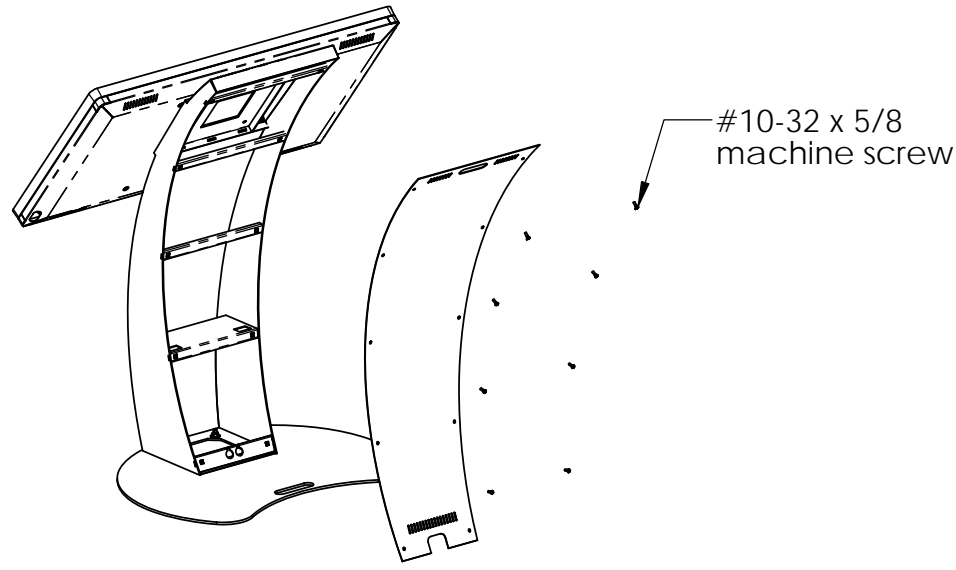
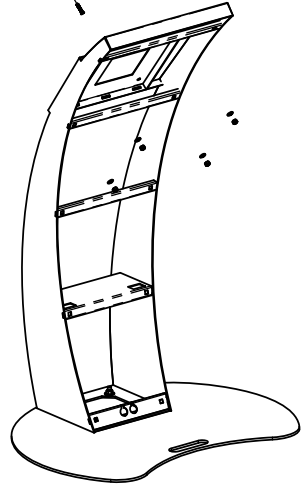
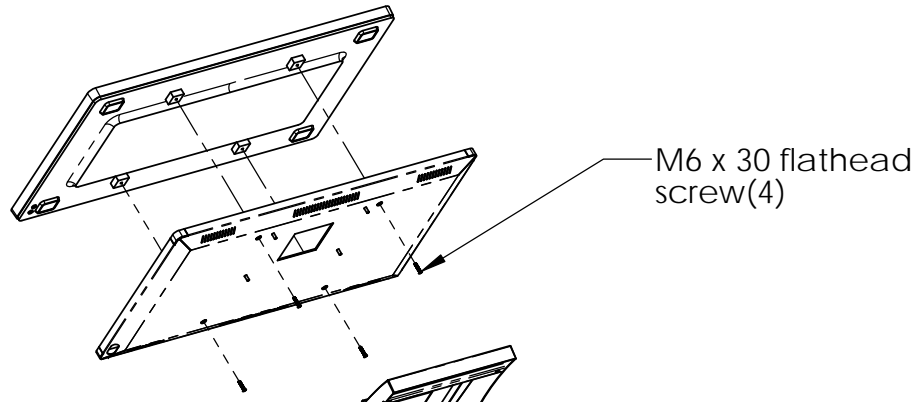
1

D

C

B

A



X7294-00 pedestal assembly sequence:

- Tools:**
 #3 Phillips screwdriver
 #2 Phillips screwdriver
 7/16" size hex socket (fits 1/4-20)

The pedestal is delivered assembled complete (less any electronics). Pay attention during disassembly of the covers as these parts will be returned to their original positions and the attachment hardware reused. (spare hardware included)

- 1 Position the pedestal near the installation location and remove the rear cover, retaining the ten #10-32 machine screws for use in reassembly.
- 2 Remove the display housing by removing four 1/4-20 hex nuts and washers, accessible through the rear opening.
- 3 Attach the necessary cables to the elo display and secure.
 NOTE: Route cables upward and replace display connector cover.
- 4 Find the four M6 x 30mm flat head machine screws in preparation for installation of the display. With the display on its face on a flat surface, place the housing over the rear of the display while routing your cables through the square opening. Be sure the small slot is aligned with the OSD controls on the back of the display. Insert the four M6 flat head screws through the rear of the display housing into the threaded holes in the rear of the display and tighten securely.
- 5 With the display and housing secure, insert the extending cables through the square hole in the pedestal and align the four studs at the rear of the housing into the mating holes on the pedestal. Attach with the 4 pieces of 1/4-20 hardware removed in step 2.
- 6 Connect and test you power, video, and USB connections prior to returning the rear cover to the original position. The display OSD buttons can be accessed through the small slot on the right rear of the housing.

PROPRIETARY AND CONFIDENTIAL
 THE INFORMATION CONTAINED IN THIS DRAWING IS THE SOLE PROPERTY OF ITSENCLUSURES. ANY REPRODUCTION IN PART OR AS A WHOLE WITHOUT THE WRITTEN PERMISSION OF ITSENCLUSURES IS PROHIBITED.

		UNLESS OTHERWISE SPECIFIED: DIMENSIONS ARE IN INCHES [mm] TOLERANCES: (include finish) ANGULAR: MACH ± .20° BEND ± 1.0° TWO PLACE DECIMAL ± .030 THREE PLACE DECIMAL ± .010 HOLE SIZES .xxx +.010 -.000		NAME	DATE	ITSENCLUSURES TITLE: Pedestal Kiosk, 42" elo fits elo part E222372
		DRAWN	eec	4/18/2014		
		CHECKED				
		ENG APPR.				
		MFG APPR.				
		Q.A.				
		COMMENTS:				
		INTERPRET GEOMETRIC TOLERANCING PER:				
		MATERIAL Cold rolled Steel				
		FINISH Paint to PO				
NEXT ASSY	USED ON					
APPLICATION		DO NOT SCALE DRAWING				
SIZE	DWG. NO.	REV				
B	DATA X7294-00					
SCALE: 1:12	WEIGHT:	SHEET 3 OF 3				