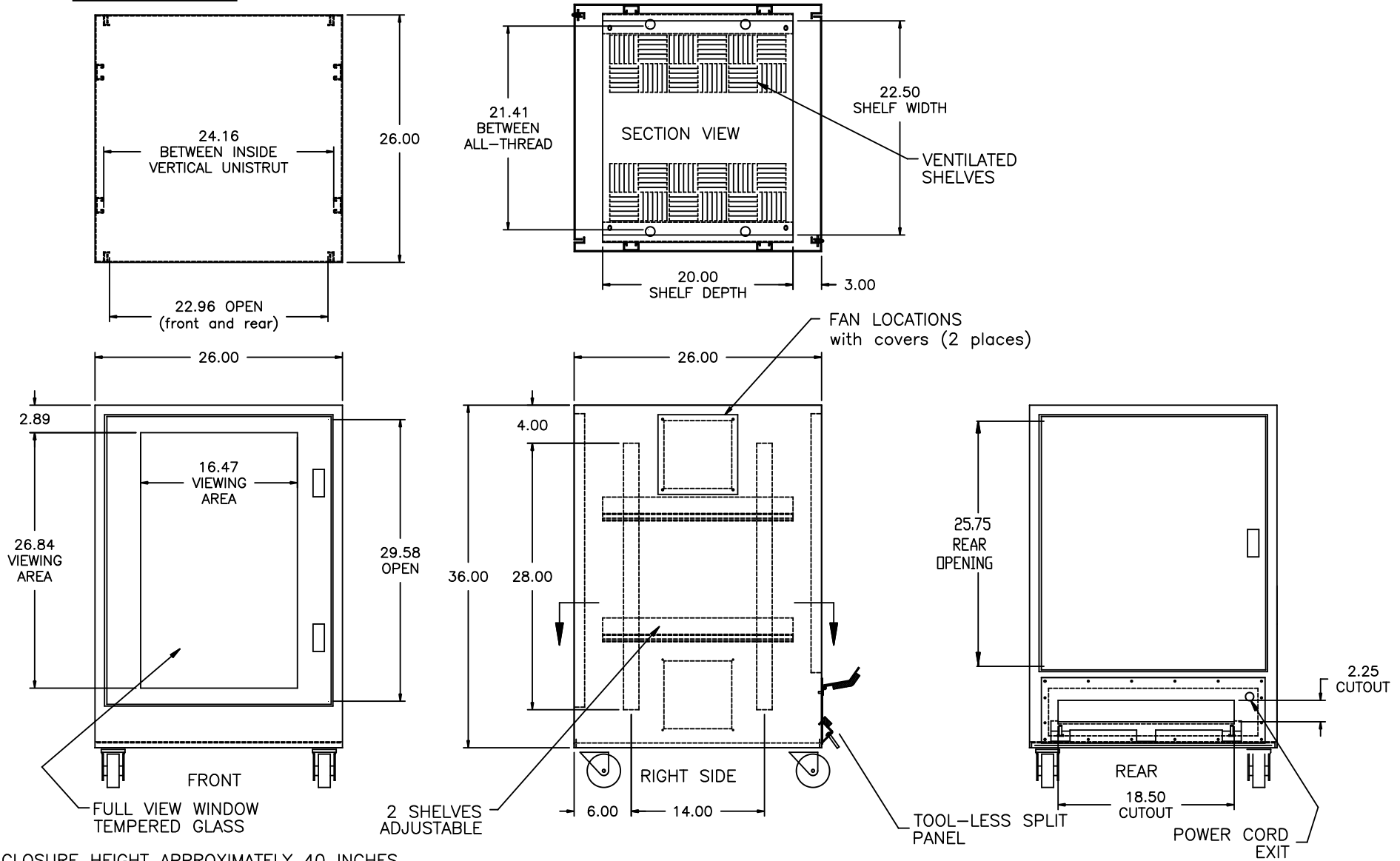


ITSENCLUSURES

271 Westech Drive, Mt. Pleasant, PA 15666
1-800-423-9911 ♦ info@itsenclosures.com

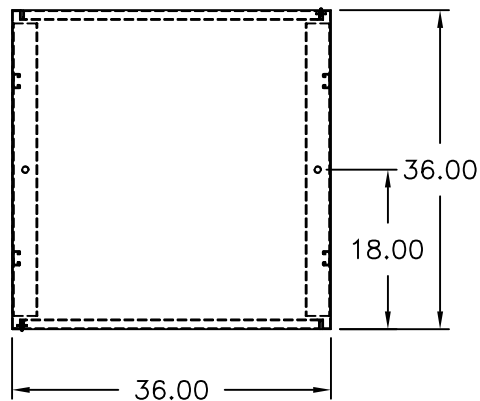
model IS362626-12-x

Printer and PC Enclosure, NEMA-12



ENCLOSURE HEIGHT APPROXIMATELY 40 INCHES
WITH CASTERS OR FIXED LEGS

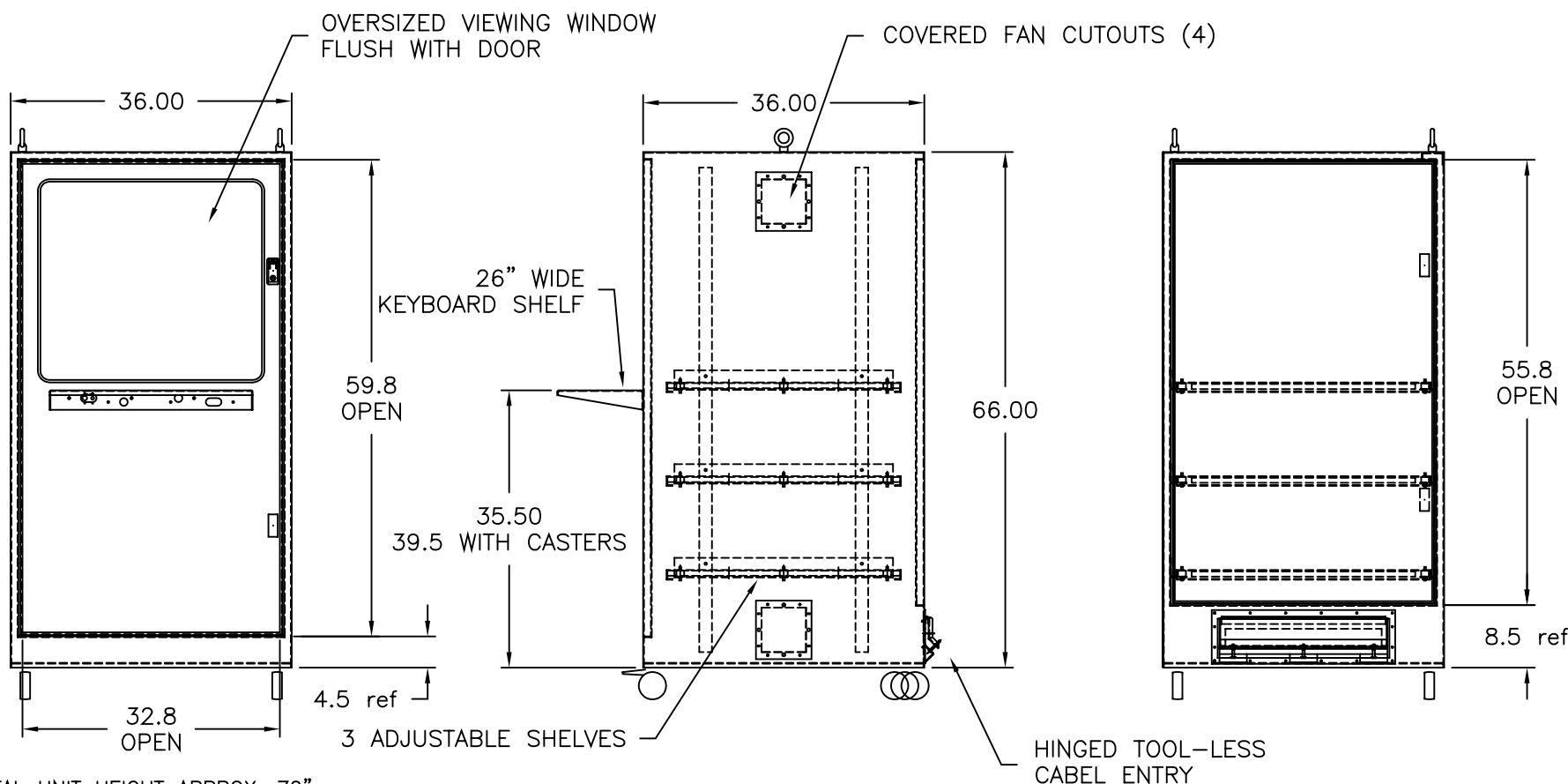
ENCLOSURE INCLUDES 10 FOOT, OIL RESISTANT POWER
CORD WITH NEMA 5-15 PLUG



ENCLOSURE CAN BE FITTED WITH FULL OR PARTIAL HEIGHT SUBPANELS, FRONT OR REAR FACING

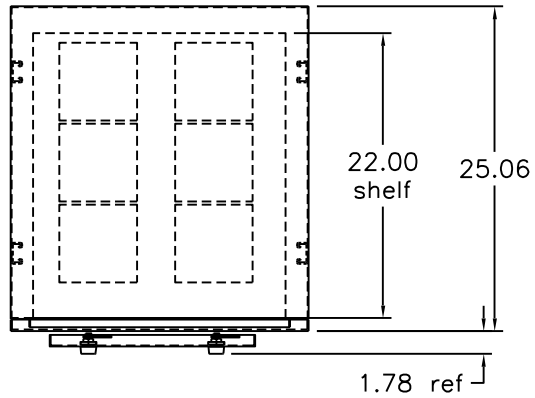
SUBPANELS IN PLACE OF, OR IN ADDITION TO SHELVES

SOLID OR CUSTOM FRONT DOOR ALSO AVAILABLE



TOTAL UNIT HEIGHT APPROX. 70"
WHEN MOUNTED ON LOCKABLE CASTERS
OR FIXED LEGS

VIEWING AREA 24.75 H x 27.75 W



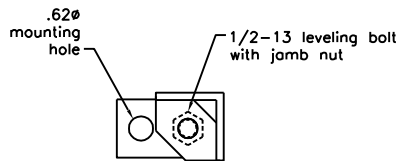
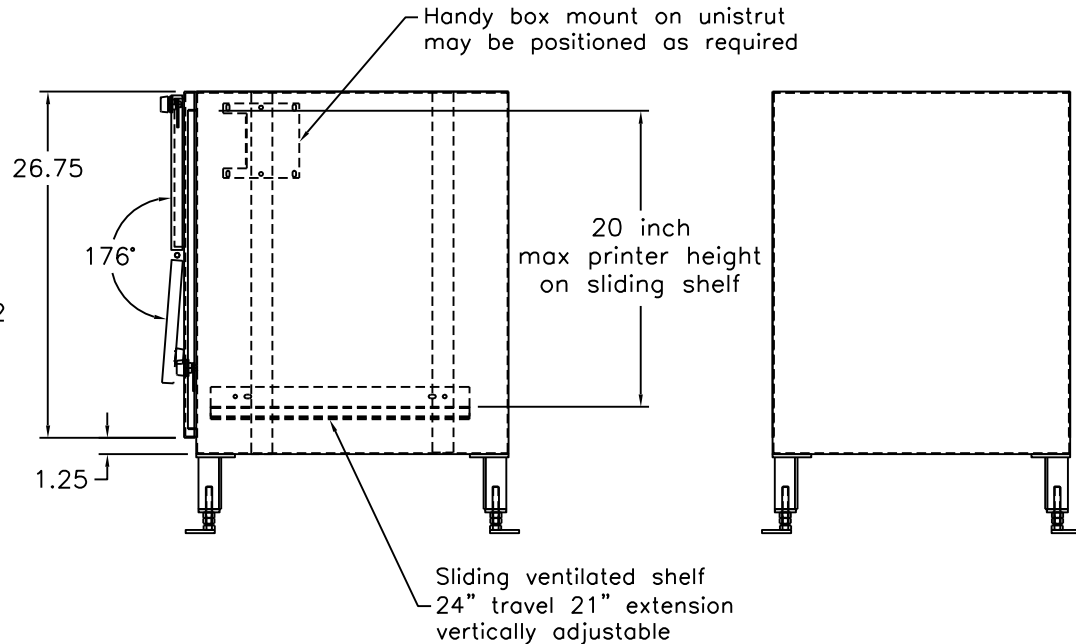
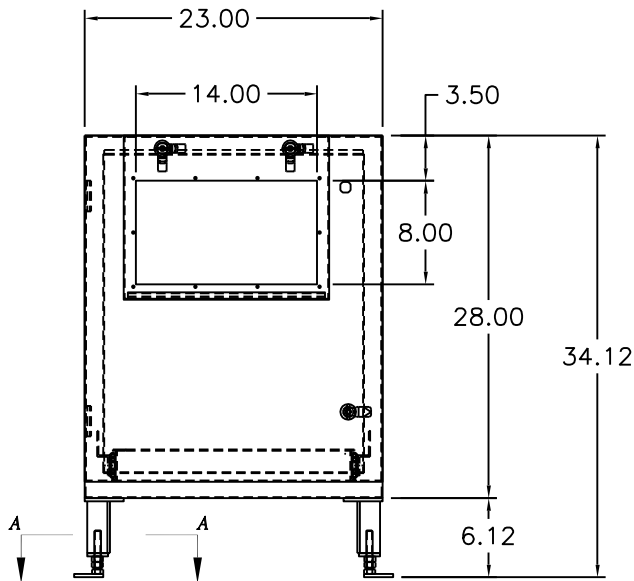
Enclosure construction: 304SS, 14 ga body, #3F vertical grain, 12 ga door and bottom.

Enclosure illustrated and quoted with solid front door, hinged left, 115° open rotation with (two) hand operable quarter turn latches. Access for printed materials from a printer to be possible through an 8H x 14W opening with solid stainless door cover capable of a NEMA-4 seal, hinged at the lower edge. Door is capable of supporting a fixed slotted lexan protective window when open. Enclosure includes sliding shelf assembly, with 120 pound rated 24" slides.

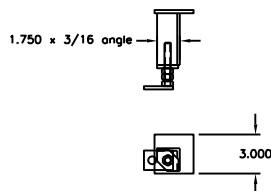
Door opening 20"W x 24.5"H.

Support leg assembly full welded to enclosure bottom includes leveling and bolt down capability.

Handy box mount, handy box, 115V duplex receptacle and cover included.



SECTION A-A



STANDARD PRODUCT DATA SHEET
Dimensions are in inches. Specifications are subject to change without notice.

Enclosure construction: 304SS, 14 ga body, #3F vertical grain, 12 ga door and bottom.

Enclosure illustrated and quoted with solid front door, hinged left, 115° open rotation with (two) hand operable quarter turn latches.

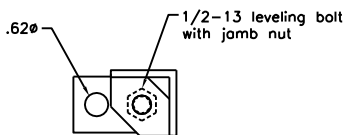
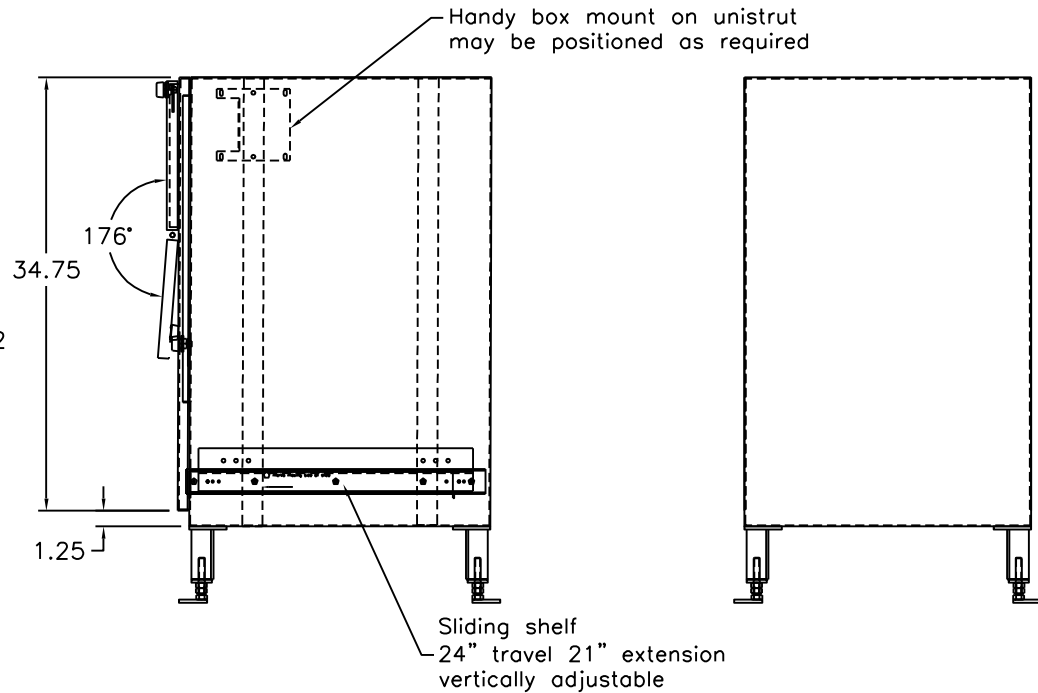
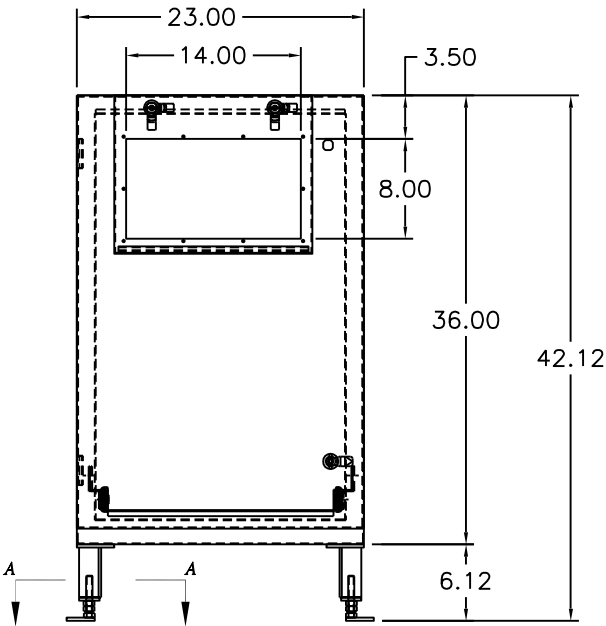
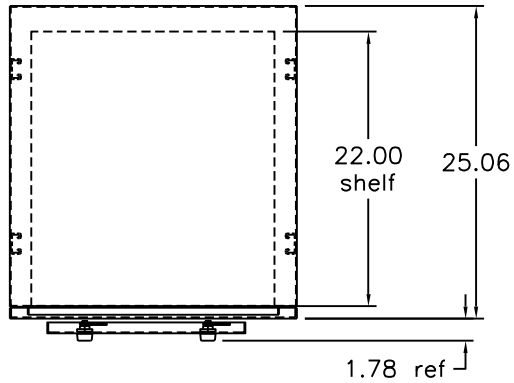
Access for printed materials from a printer to be possible through an 8H x 14W opening with solid stainless door cover capable of a NEMA-4 seal, hinged at the lower edge. Door is capable of supporting a fixed slotted lexan protective window when open.

Enclosure includes sliding shelf assembly, with 120 pound rated 24" slides.

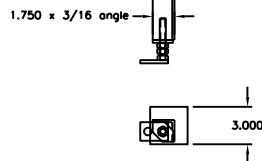
Door opening 20" x 32.5".

Support leg assembly full welded to enclosure bottom includes leveling and bolt down capability.

Handy box mount, handy box, 115V duplex receptacle and cover included.



SECTION A-A



STANDARD PRODUCT DATA SHEET
Dimensions are in inches. Specifications are subject to change without notice.