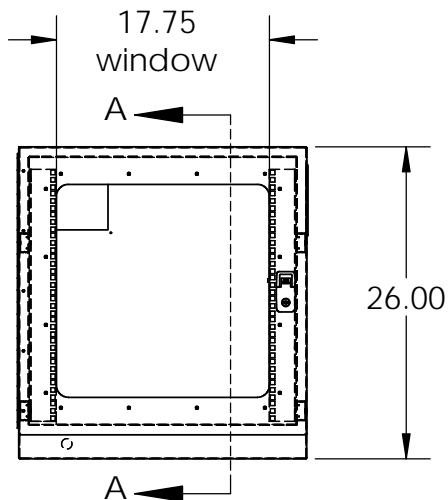
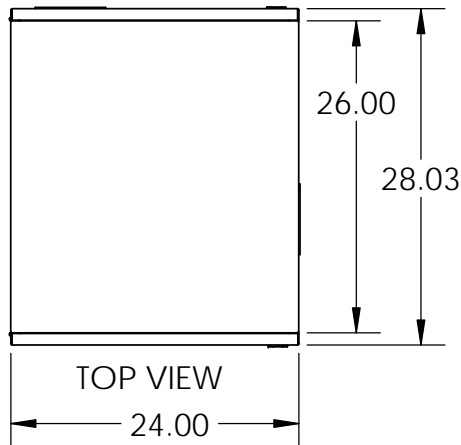
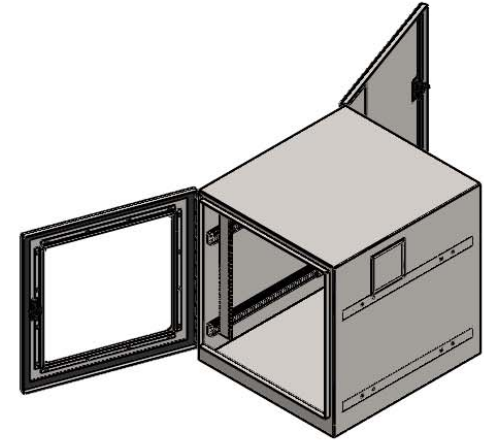


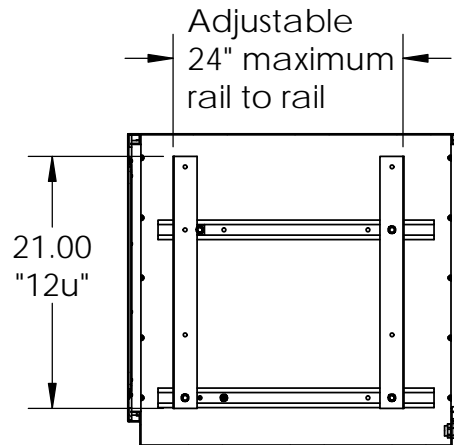
19" rack enclosure Model IR262428-12
26H x 24W x 28D, maximum dimensions.
Enclosure body: 14 ga. painted steel includes "12u" of front and rear mounting rails, square punched for use with cage nuts. Locking Front and Rear doors. Front door includes a polycarbonate window for visibility of the front of the rack.

Optional filtered fan creates positive pressure inside the enclosure to help exclude dust.

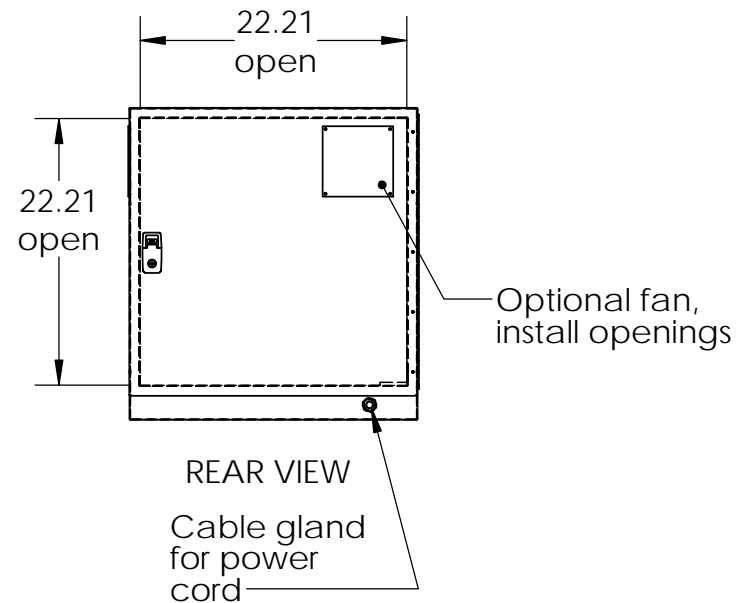
Cable bundles can be accommodated with optional Hilti sleeves located per customer requirement.



FRONT VIEW



SECTION A-A



REAR VIEW

ITSENCLUSURES

271 Westech Drive, Mt. Pleasant, PA 15666
1-800-423-9911 ◆ info@itsenclosures.com

model IR72192438-12-x

19" x 38u Rack Enclosure, NEMA-12

STANDARD FEATURES :

19" RACK Type 12 ENCLOSURE
24 wide x 38 deep x 72 tall

ENCLOSURES MAY BE INTERCONNECTED

12 ga. STEEL FRAME and DOORS
16 Ga. STEEL SIDE PANELS

38u (66.5") of PANEL MOUNTING RAIL
2 FULL HEIGHT SETS

MOUNTING RAIL FULLY ADJUSTABLE FRONT TO REAR

INSIDE SPACE 19.5 (w) x 70 (h) x 33.8 (d)

PARTIAL VIEW GLASS FRONT DOOR

DOORS HAVE KEY LOCKING 3-POINT LATCHES

DOOR OPENINGS 19.5 x 66.5

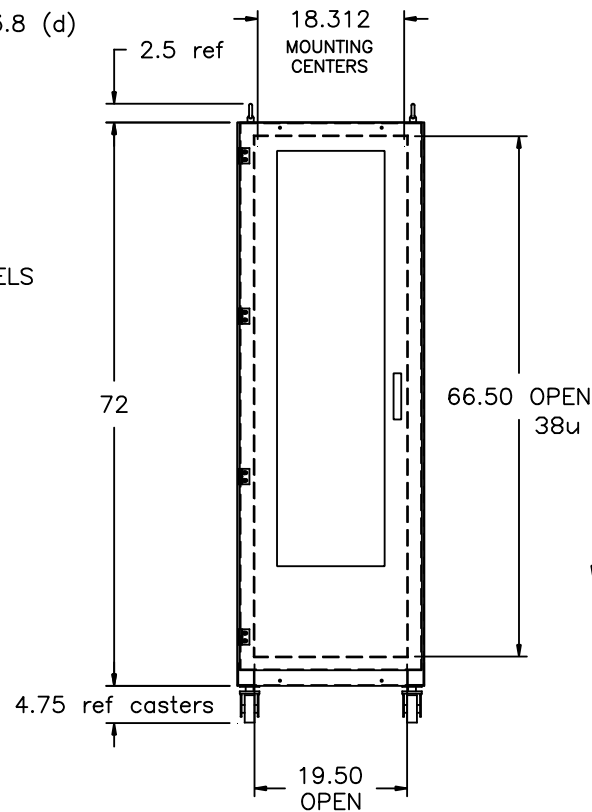
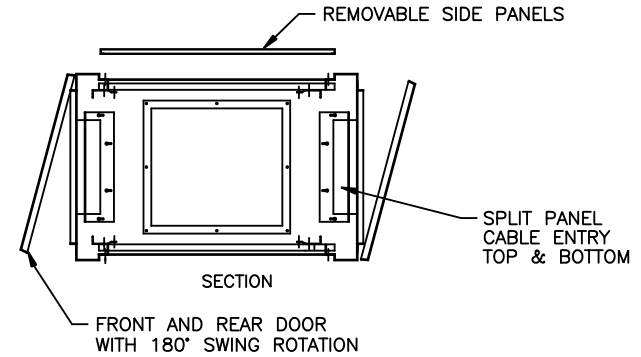
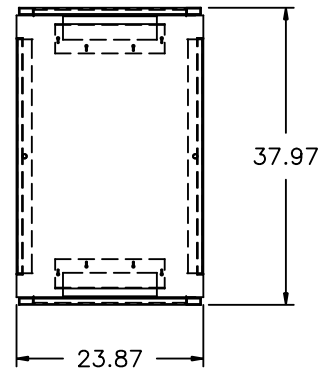
GASKET SEALED, REMOVABLE SIDE PANELS
SPLIT PANEL CABLE ENTRY
THROUGH BOTTOM FRONT & REAR
AND TOP FRONT AND REAR

4 CASTERS, 2 locking OR
FIXED LEGS (for bolt down)
ANTI-TIP LEGS (for door mounted AC)

LIFT EYES

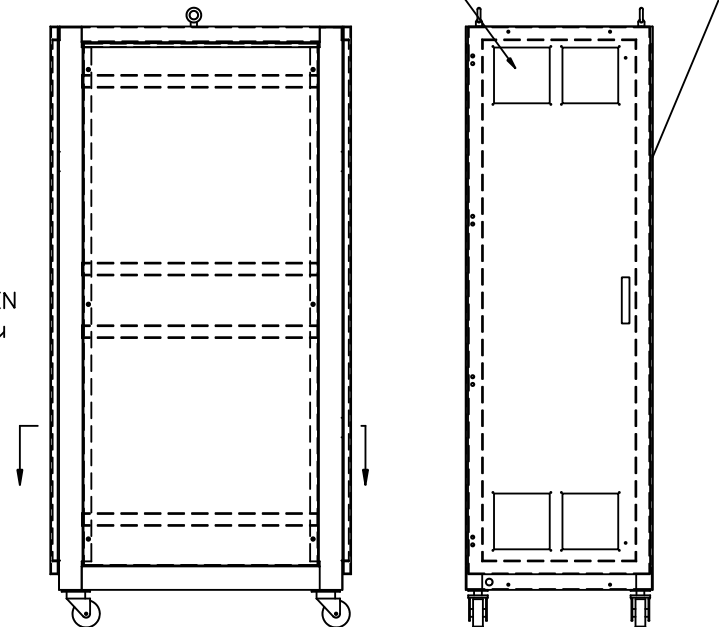
OPTIONS AVAILABLE:

19" RACK ACCESSORIES
FILTERED FAN KITS
A/C OPTIONS
INTERCONNECTION KIT



INSTALLATION OPENINGS FOR OPTIONAL FANS

LOCKING DOORS



ITSENCLUSURES

271 Westech Drive, Mt. Pleasant, PA 15666
1-800-423-9911 ♦ info@itsenclosures.com

model IR72242938-12-x

24" x 38u Rack Enclosure, NEMA-12

STANDARD FEATURES :

19" or 24" RACK Type 12 ENCLOSURE
29 wide x 38 deep x 72 tall

ENCLOSURES MAY BE INTERCONNECTED

12 ga. STEEL FRAME and DOORS
16 Ga. STEEL SIDE PANELS

38u (66.5") of PANEL MOUNTING RAIL
2 FULL HEIGHT SETS

MOUNTING RAIL FULLY ADJUSTABLE FRONT TO REAR

INSIDE SPACE 24.5 (w) x 70 (h) x 33.8 (d)

PARTIAL VIEW GLASS FRONT DOOR

DOORS HAVE KEY LOCKING 3-POINT LATCHES

DOOR OPENINGS 24.5 x 66.5

GASKET SEALED, REMOVABLE SIDE PANELS

SPLIT PANEL CABLE ENTRY
THROUGH BOTTOM FRONT & REAR
AND TOP FRONT AND REAR

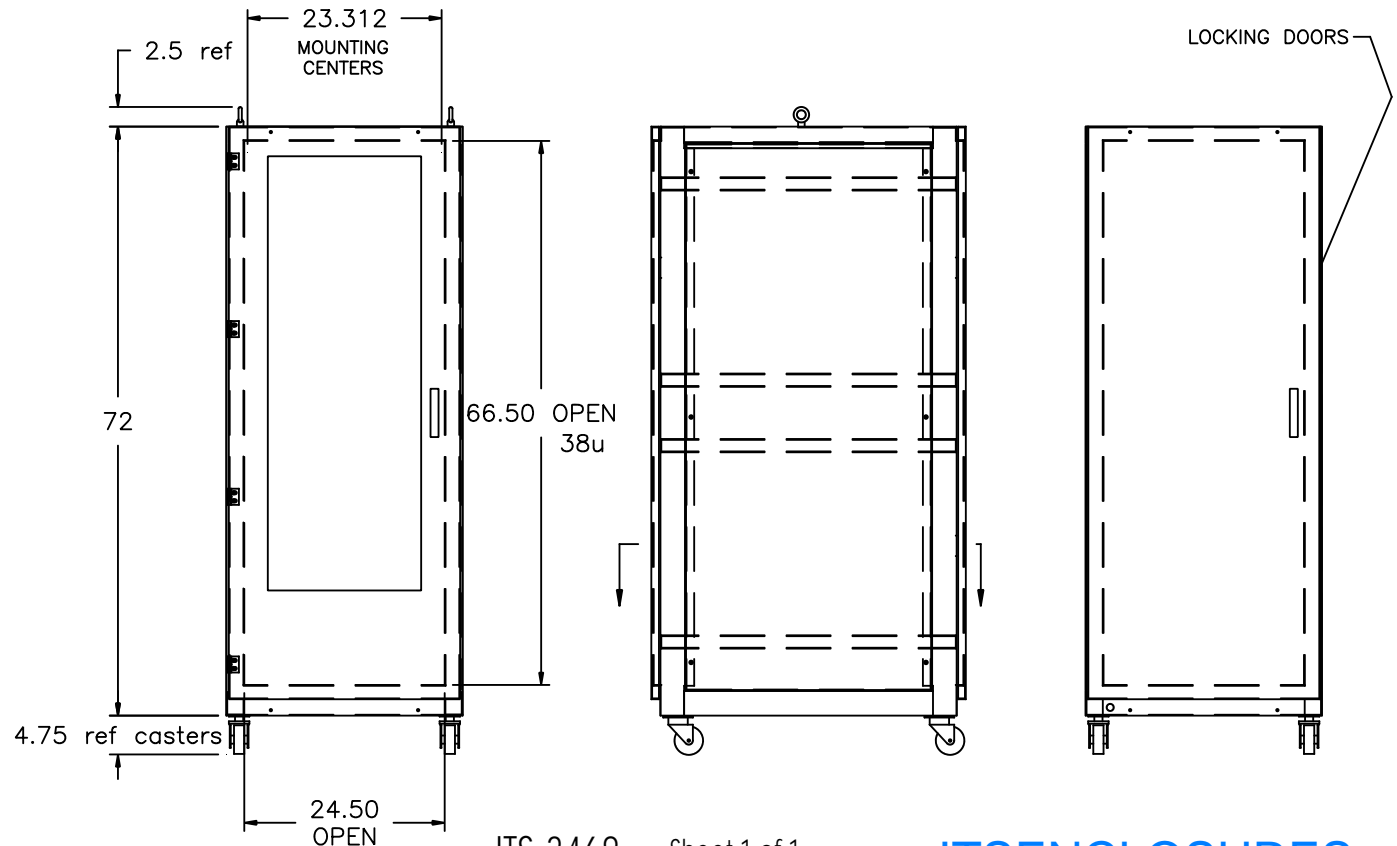
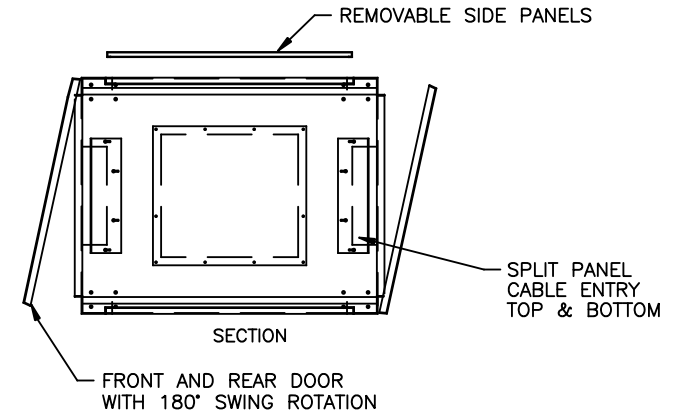
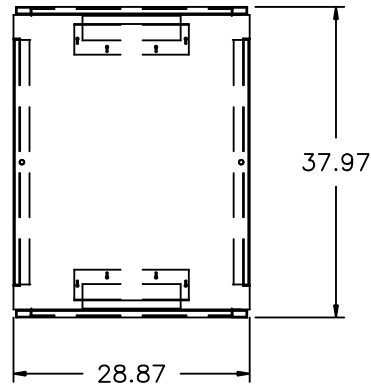
4 CASTERS, 2 locking OR
FIXED LEGS (for bolt down)
ANTI-TIP LEGS (for door mounted AC)

LIFT EYES

OPTIONS AVAILABLE:

19" RACK ACCESSORIES
FILTERED FAN KITS
A/C OPTIONS
INTERCONNECTION KIT

WEIGHT: 360 LBS.



STANDARD FEATURES :

19" RACK Type 12 ENCLOSURE
24 wide x 38 deep x 80 tall

ENCLOSURES MAY BE INTERCONNECTED

12 ga. STEEL FRAME and DOORS
16 Ga. STEEL SIDE PANELS

42u (73.5") of PANEL MOUNTING SPACE
FRONT AND REAR RAILS IN HALF HEIGHT SETS
SQUARE PUNCHED RAILS ACCEPT CAGE NUTS

MOUNTING RAILS FULLY ADJUSTABLE FRONT TO REAR

INSIDE SPACE 19.5 (w) x 79.5 (h) x 35.8 (d)

PARTIAL VIEW GLASS FRONT DOOR

DOORS HAVE KEY LOCKING 3-POINT LATCHES

DOOR OPENINGS 19.5 x 73.5

DUST-TIGHT, REMOVABLE SIDE PANELS

TOP ACCESS CABLE ENTRY

4.50" DIAMETER OPENINGS (2) w/COVERS
Supports HILTI 4" Speed Sleeve (CP 653)

4 CASTERS, 2 locking OR

FIXED LEGS (for bolt down)

ANTI-TIP LEGS (for door mounted AC)

LIFT EYES

OPTIONS AVAILABLE:

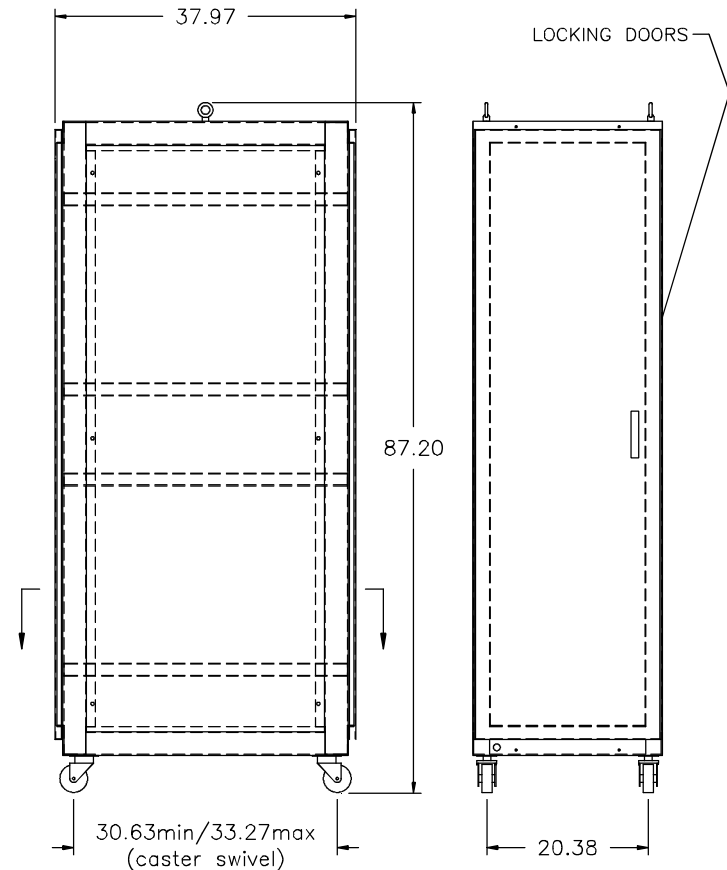
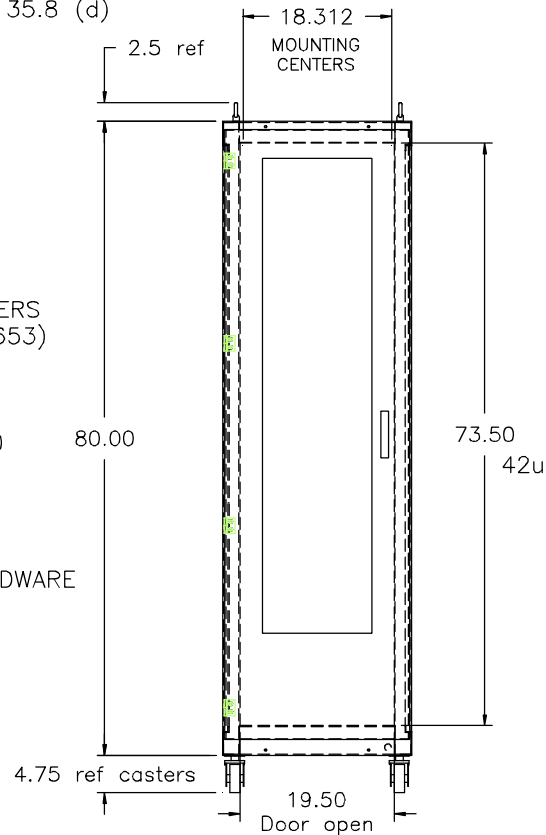
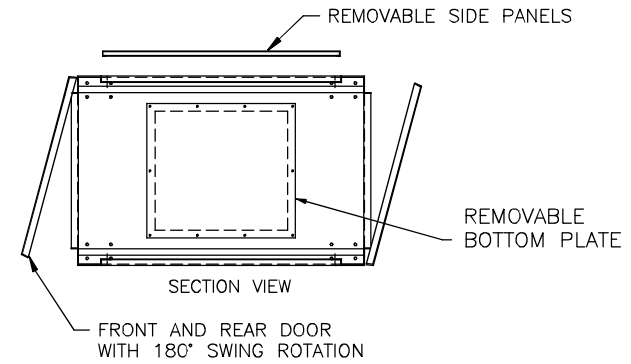
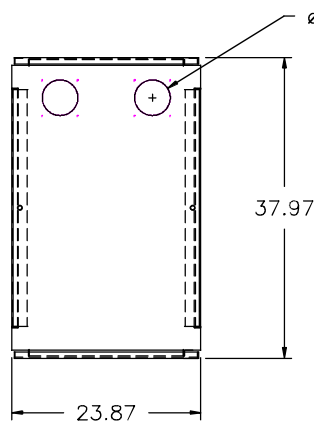
#10-32 or 6mm RAIL MOUNTING HARDWARE

19" RACK ACCESSORIES

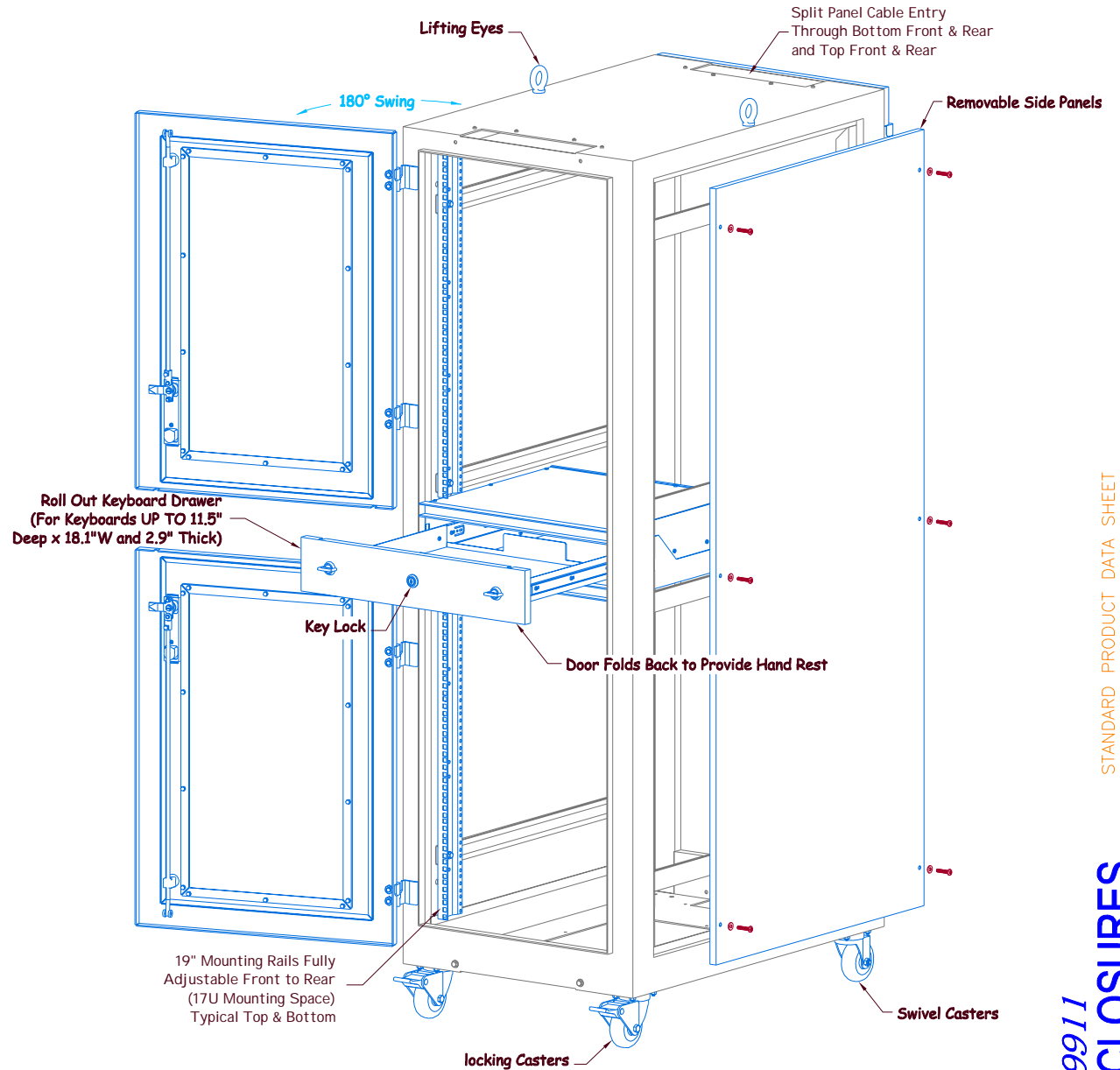
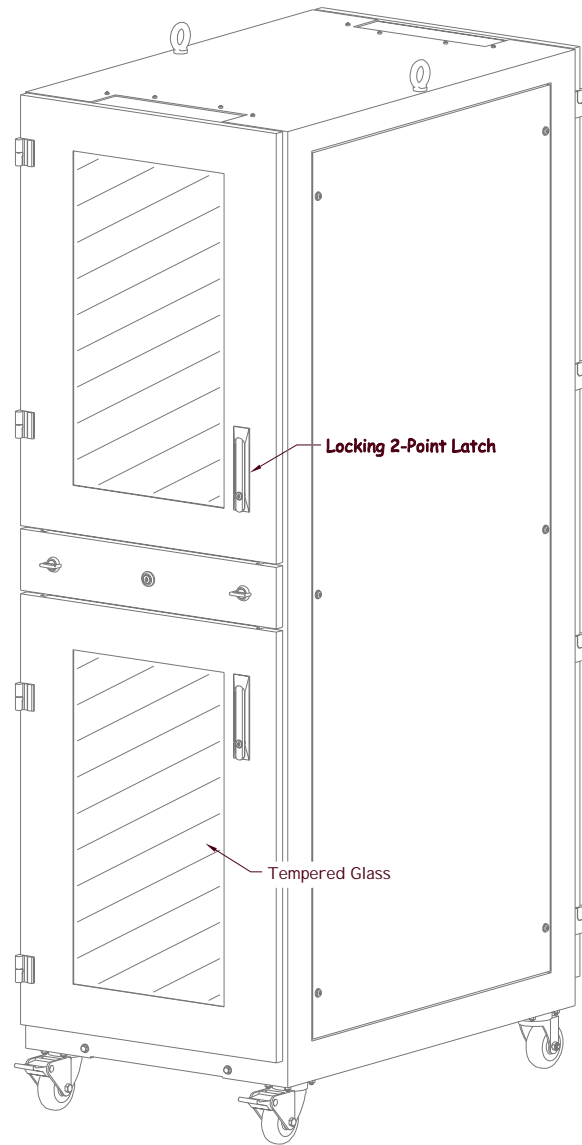
FILTERED FAN KITS

A/C OPTIONS

INTERCONNECTION KIT



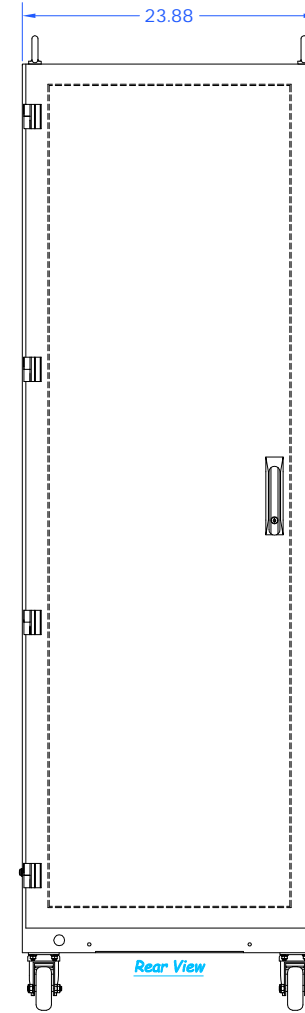
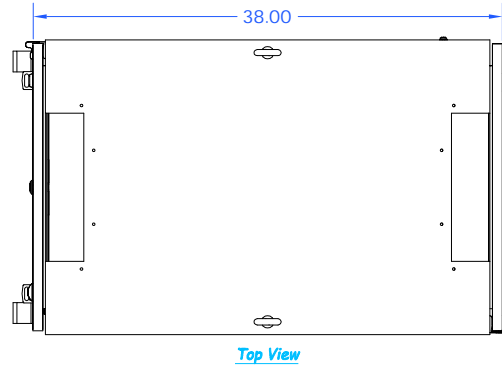
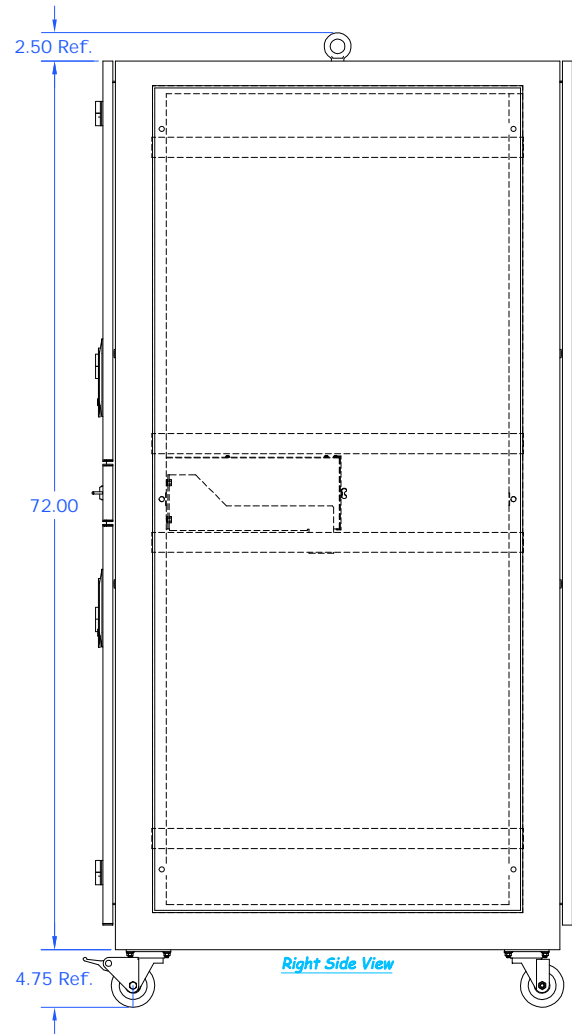
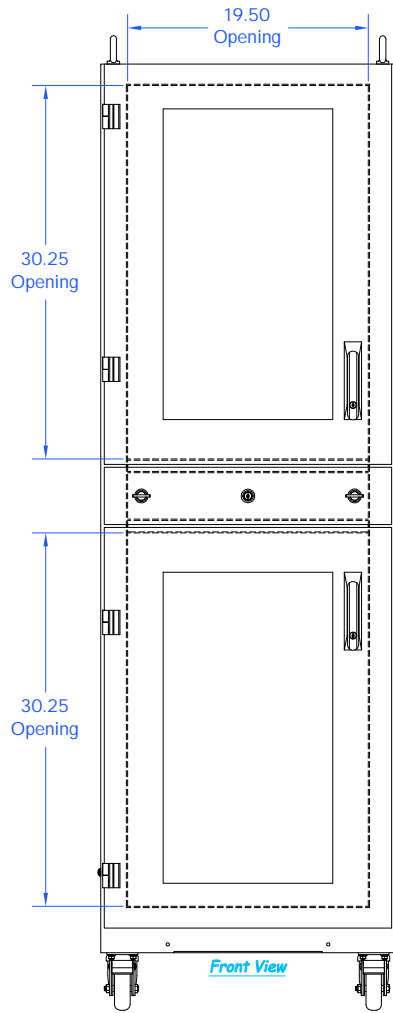
STANDARD PRODUCT DATA SHEET
Dimensions are in inches. Specifications are subject to change without notice.



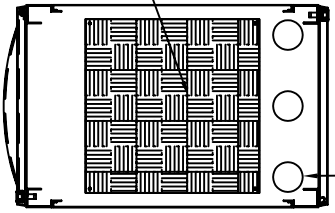
Standard Features:
19" Rack Type 12 Enclosure
12 Ga. Steel Frame and Doors
16 Ga. Steel Side Panels
Enclosures May Be Interconnected

Options Available:
19" Rack Accessories
Filtered Fan Kits
A/C Options
Interconnection Kit

STANDARD PRODUCT DATA SHEET
Dimensions are in inches. Specifications are subject to change without notice.



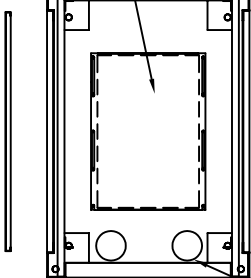
THREE ϕ 3.50 HOLES IN TOP PANEL
FOR POWER OR DATA CABLES
(HOLES PLUGGED WITH REMOVABLE
PLASTIC CAP)



TDP

REMOVABLE LOCKING
SIDE PANELS

SLIDING
BOTTOM PANEL
CABLE ACCESS



TWO ϕ 3.50 HOLES
FOR POWER OR DATA
CABLES (HOLES
PLUGGED WITH
REMOVABLE PLASTIC
CAP)

FRONT & REAR
DOOR REVERSIBLE
SWING DIRECTION

VENTED
LOCKING FRONT DOOR

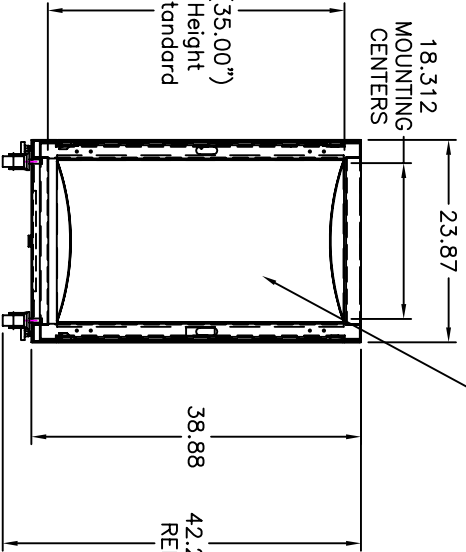
2 SETS OF PAINTED STEEL
E.I.A. RAILS topped #10-32
ADJUSTABLE FRONT & REAR

VENTED
LOCKING REAR DOOR

18.312
MOUNTING
CENTERS

23.87

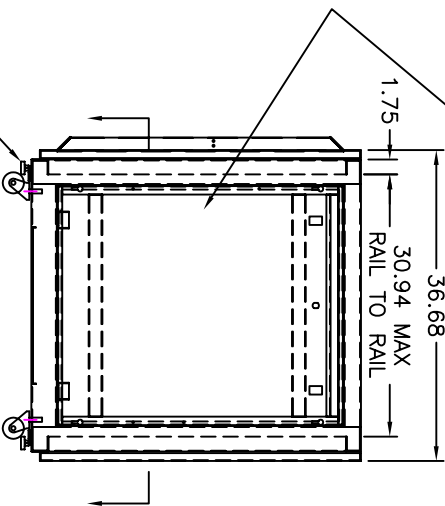
20u (35.00")
Mtg Height
19" Standard



ADJUSTABLE LEVELING GLIDES
and CASTERS

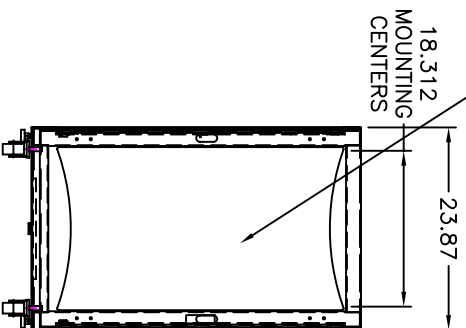
1.75
30.94 MAX
RAIL TO RAIL

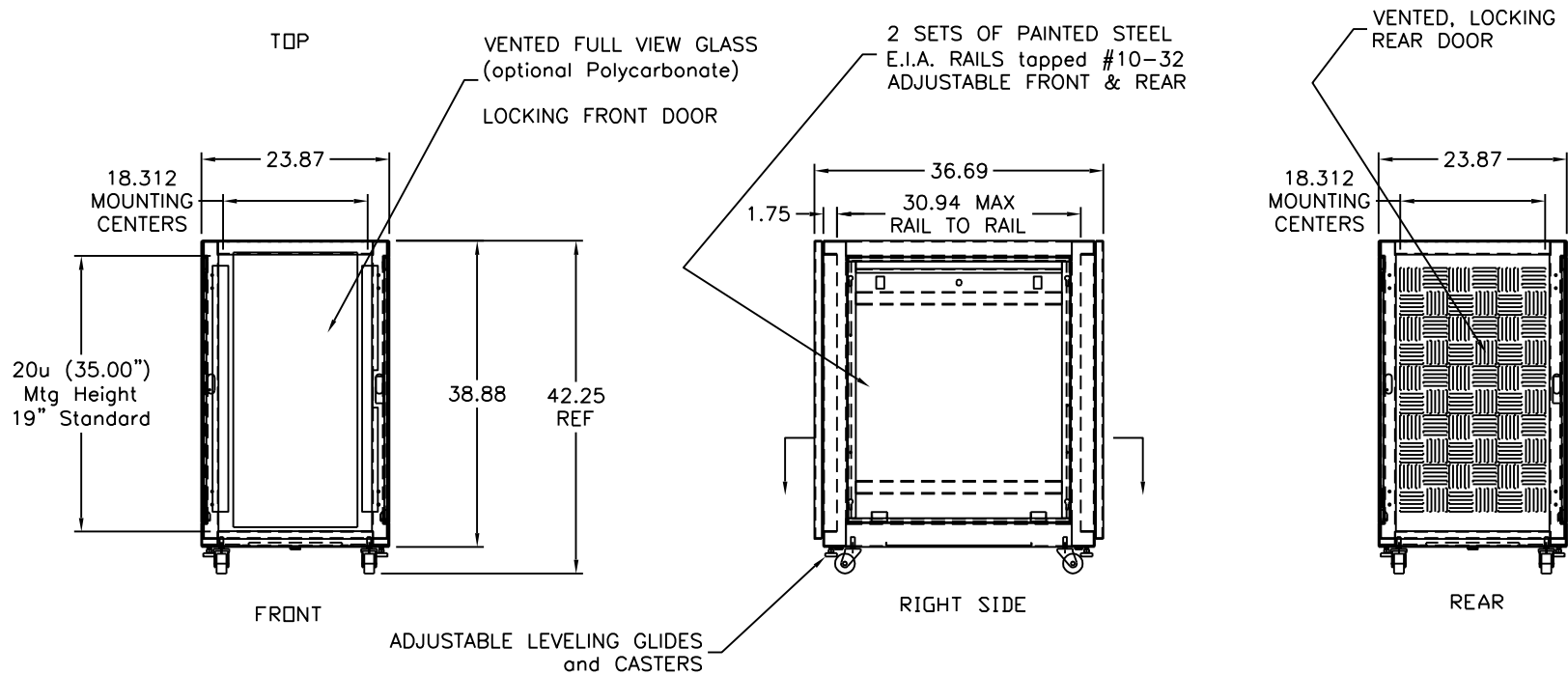
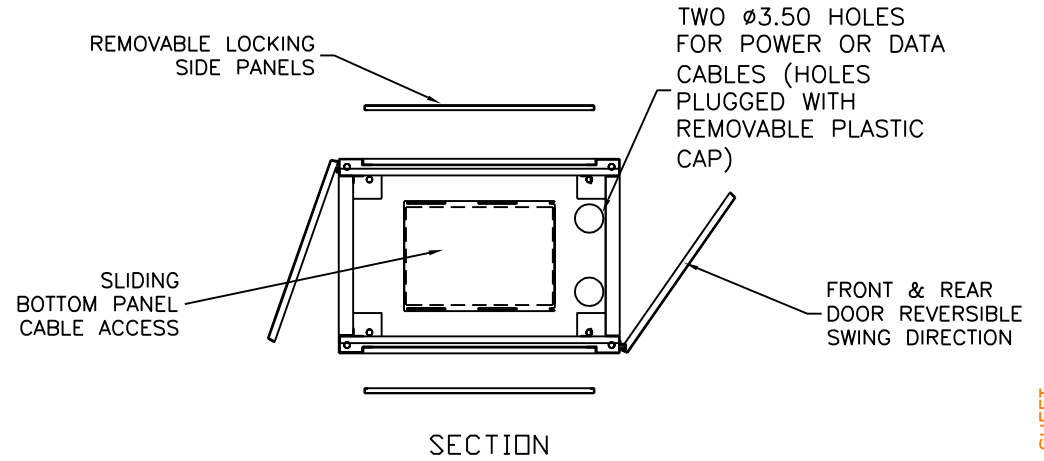
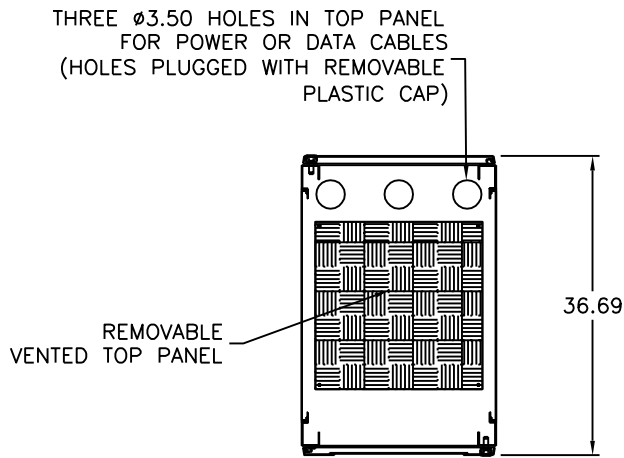
36.68



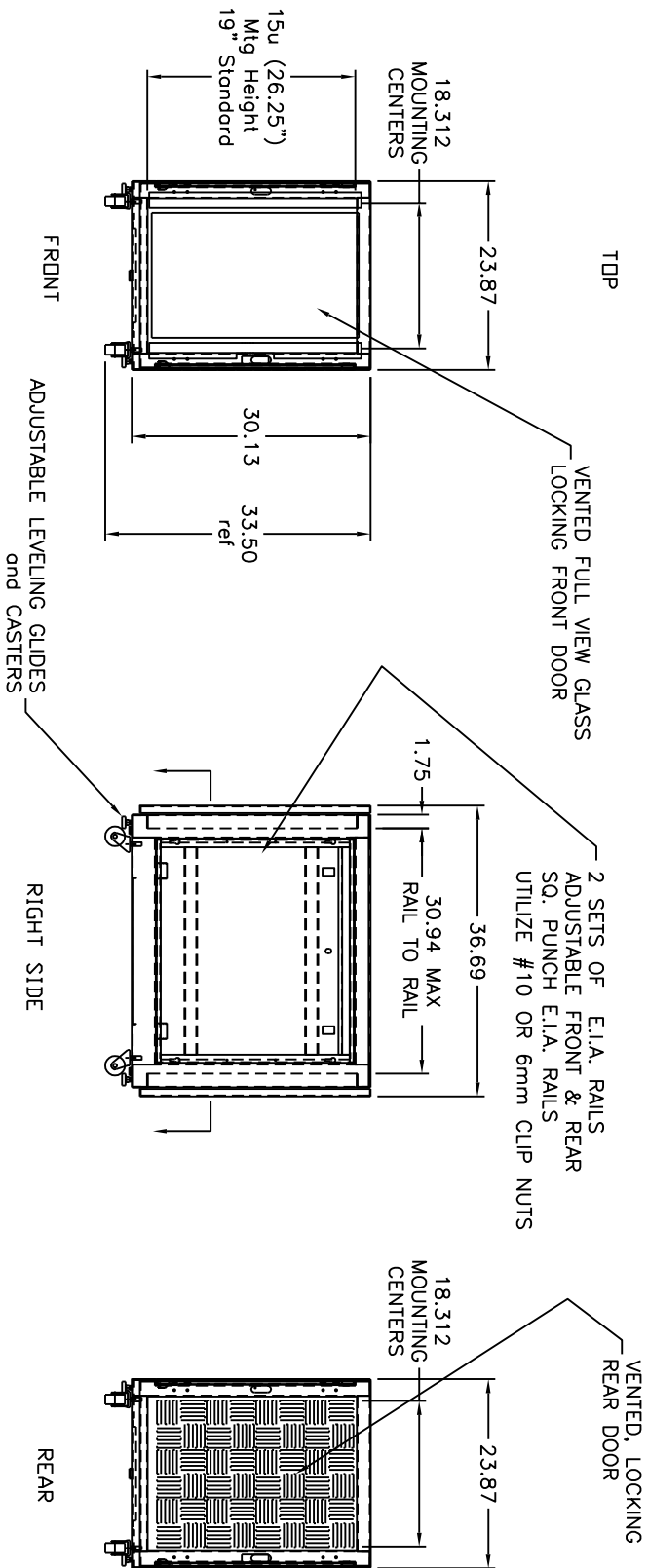
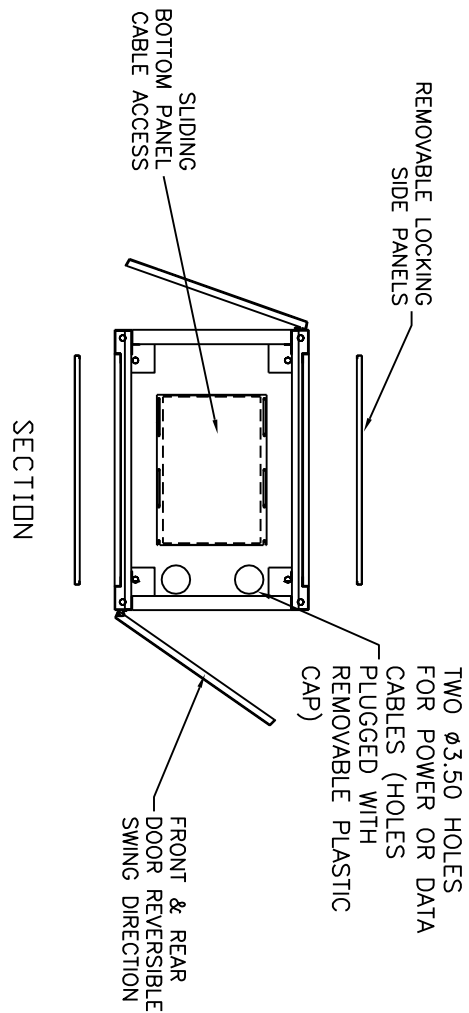
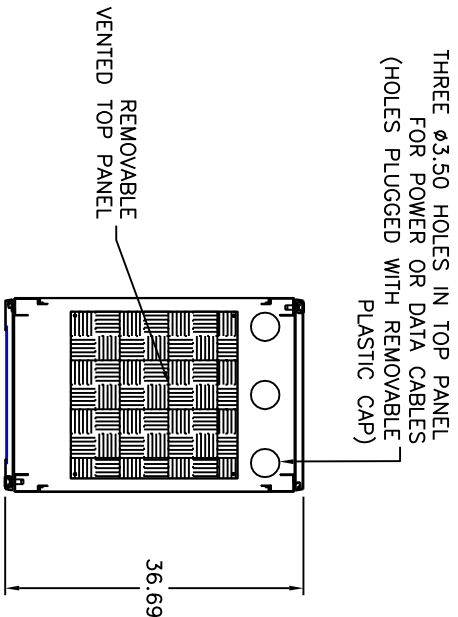
18.312
MOUNTING
CENTERS

23.87

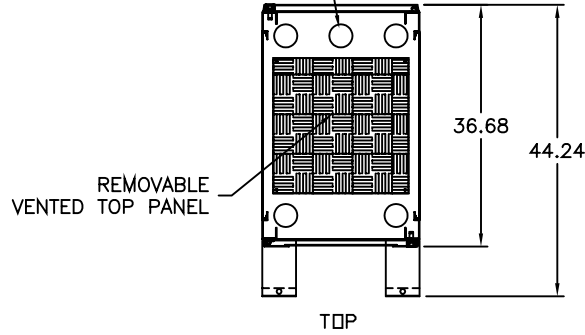




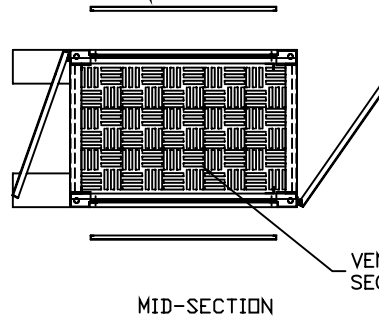
STANDARD PRODUCT DATA SHEET
Dimensions are in inches. Specifications are subject to change without notice.



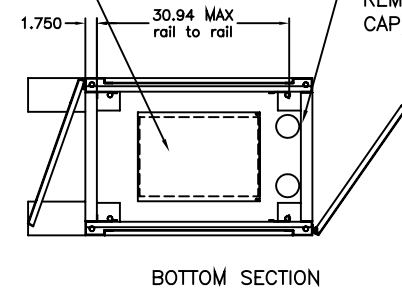
FIVE $\phi 3.50$ HOLES IN TOP FOR POWER OR DATA CABLES (HOLES PLUGGED WITH REMOVABLE CAP)



REMOVABLE LOCKING SIDE PANELS (full height)



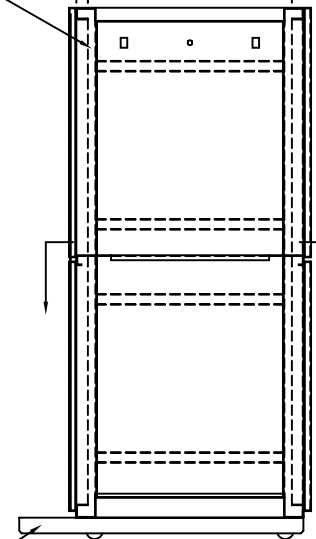
SLIDING BOTTOM PANEL CABLE ACCESS



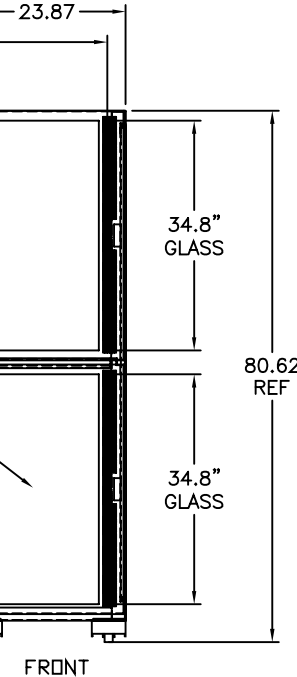
2 SETS OF E.I.A. RAILS ADJUSTABLE FRONT & REAR
SQ. PUNCH E.I.A. RAILS
UTILIZE #10 OR 6mm CLIP NUTS
INDEPENDENT SETS, TOP AND BOTTOM

1.75

30.94 MAX RAIL TO RAIL



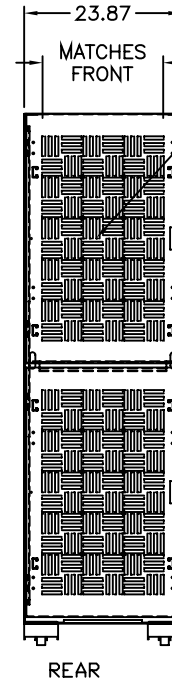
18.312 MOUNTING CENTERS



20u (35.0") Mtg Height
19" Standard TOP & BOTTOM

VENTED FULL VIEW GLASS LOCKING FRONT DOORS
LOCKS KEYED DIFFERENT

ANTI-TIP RUNNERS WITH LEVELERS AND CASTERS



STANDARD PRODUCT DATA SHEET
Dimensions are in inches. Specifications are subject to change without notice.

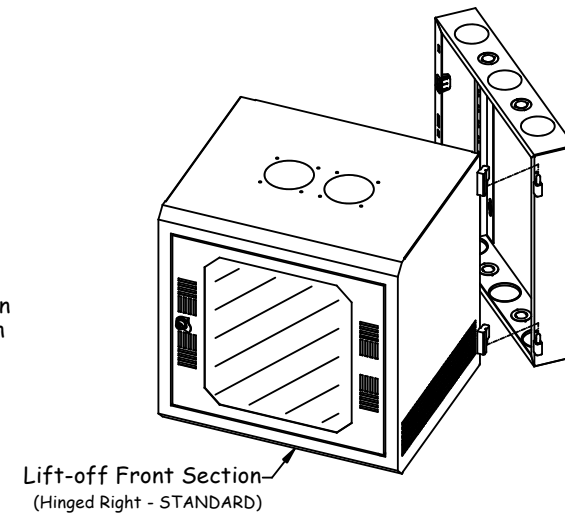
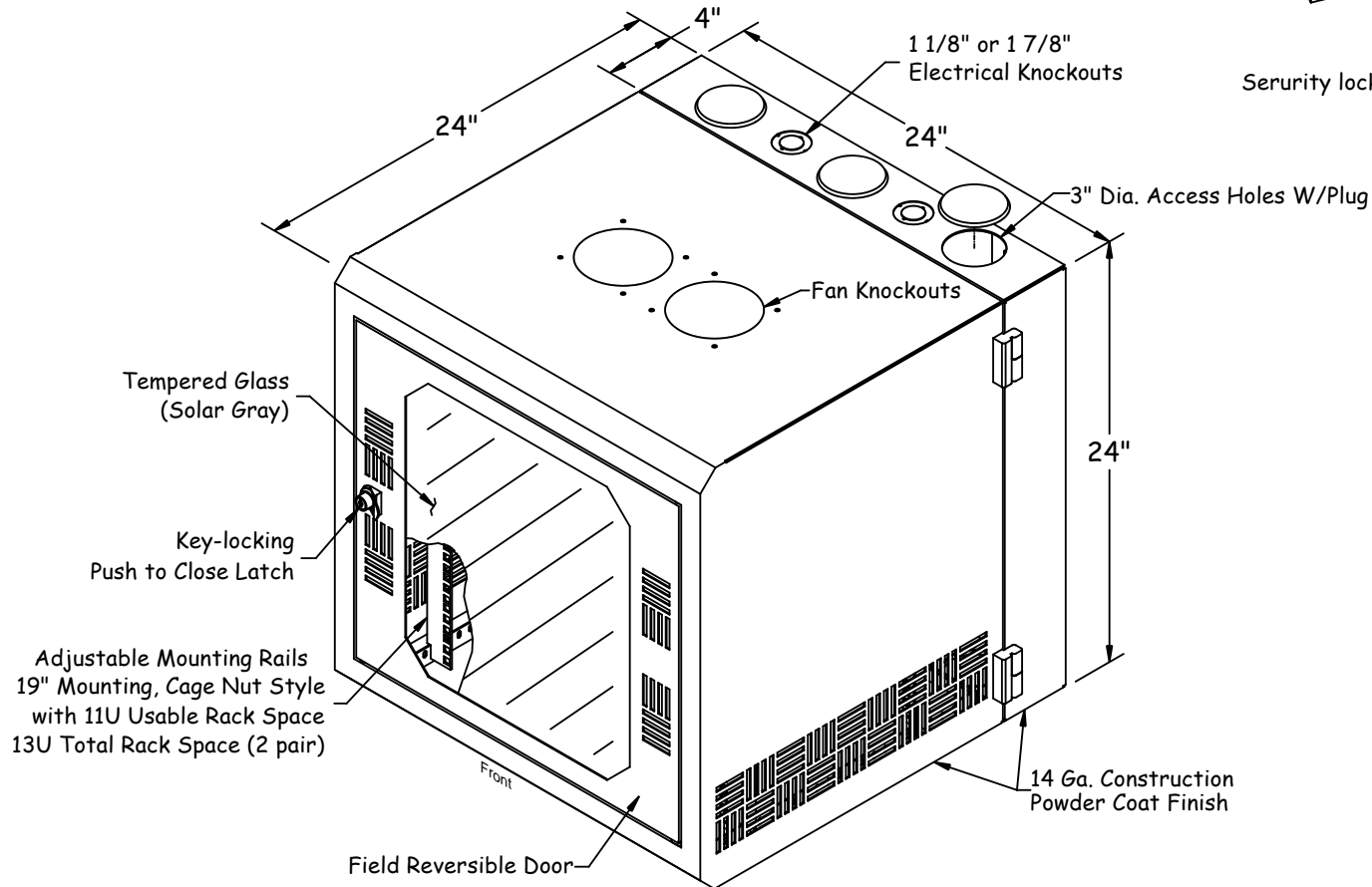
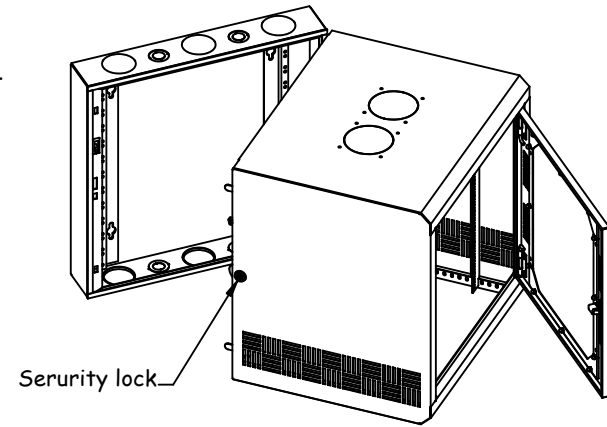
ITSENCLOSURES

271 Westech Drive, Mt. Pleasant, PA 15666
1-800-423-9911 ♦ info@itsenclosures.com

model NSV-WE-243-X

Wall Mount Enclosure, 24"W x 24"D x 24"H

Enclosure Weight: 87 Lbs.



ITSENCLUSURES

271 Westech Drive, Mt. Pleasant, PA 15666
1-800-423-9911 ♦ info@itsenclosures.com

model NSV-WE-243-X

Wall Mount Enclosure

