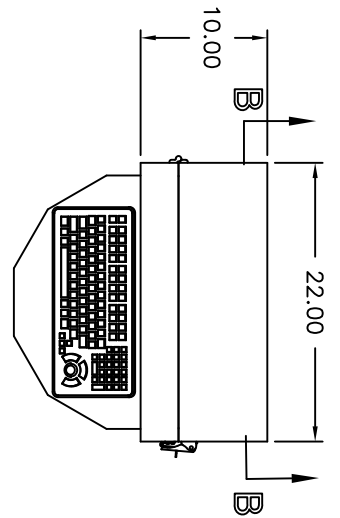
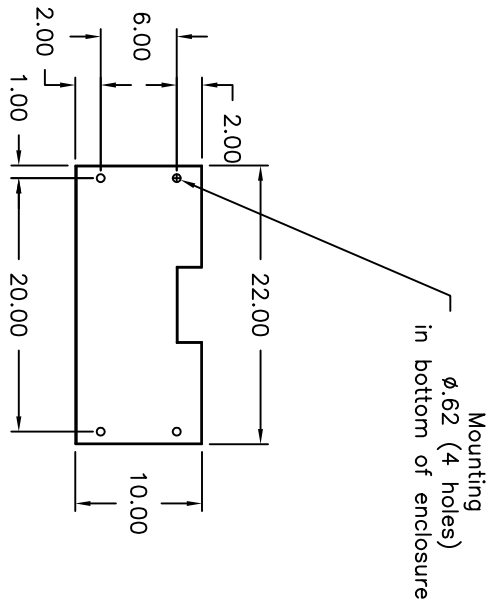


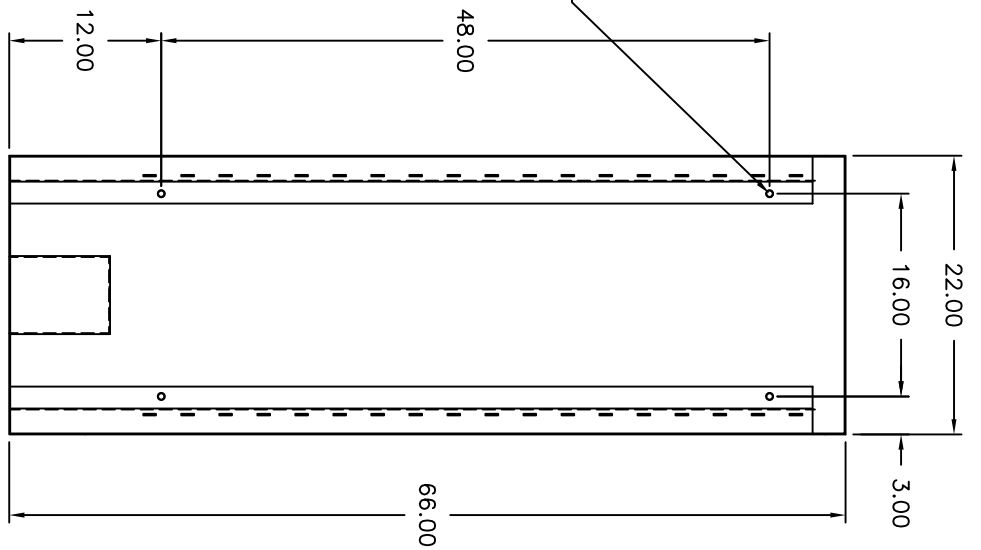
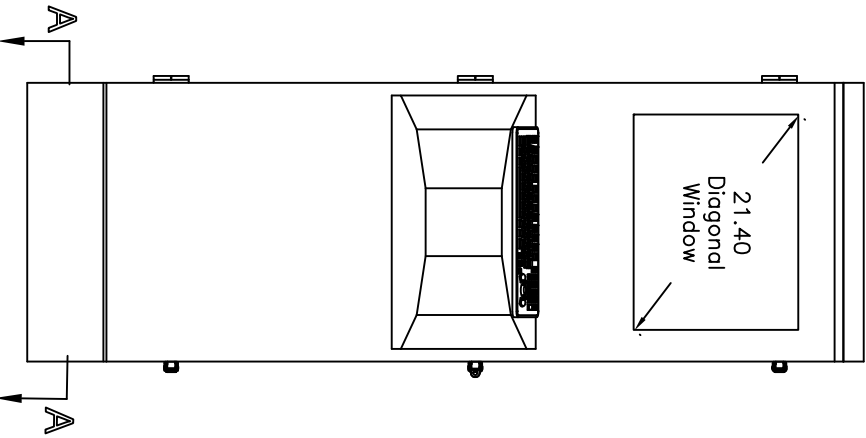
* Available maximum space within the door opening height is 9.7 deep x 17.7 wide, centered. (Except were obstructed by shelves or display mounting brackets)



(4 pre-marked locations)
Holes for wall mounting
can be added by installer
here or as necessary.



Section A-A
Bottom mounting



Section B-B
Back mounting