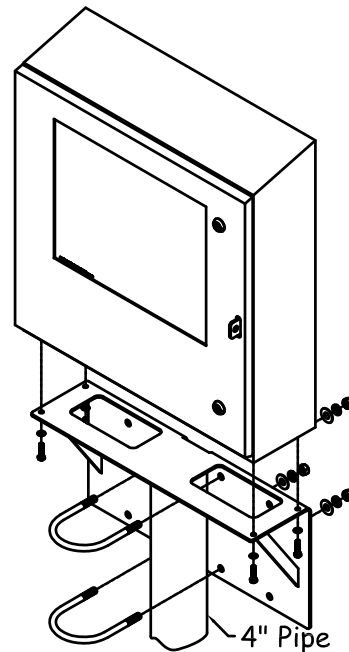
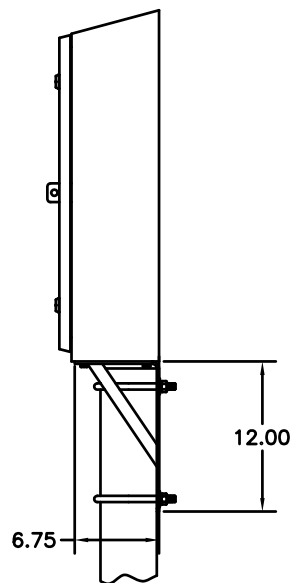
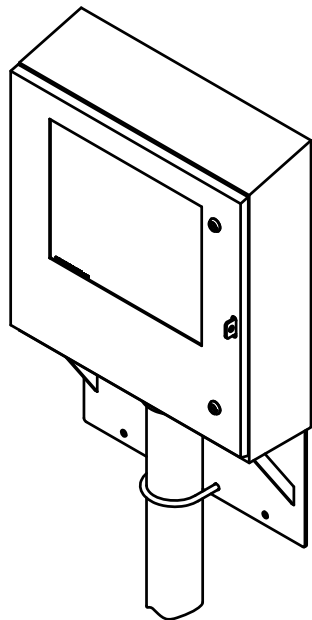


Enclosure Universal Mount

Mount allows simple installation to post or column 4" Dia. or larger (Specify Requirement)
Can also be attached to a wall in restricted depth locations with penetrations to enclosure bottom only.



Bolt on enclosure attachment permits use of keyboard support options and openings allow cable passage.

Material:

7 Ga. Painted steel or 304 Stainless

Designed for IO28 and IO29 enclosures

