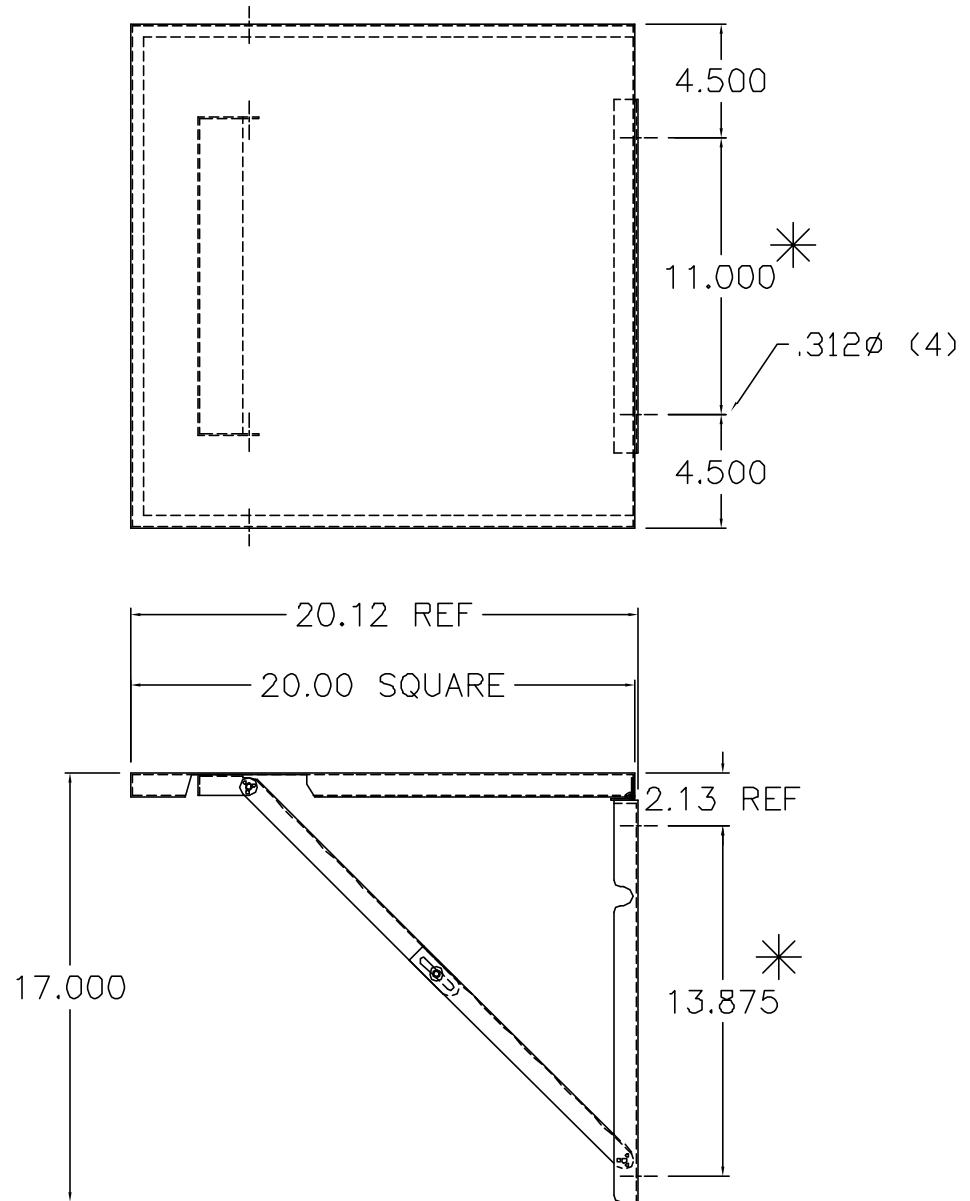
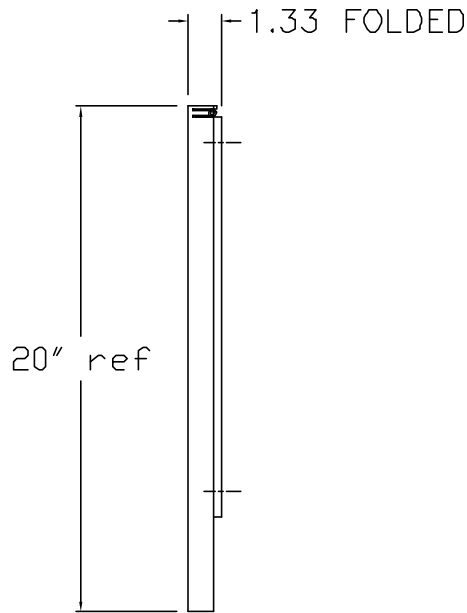


* NOTE:
BE AWARE OF UNISTRUT LOCATIONS INSIDE
ICE-STATION ENCLOSURES BEFORE DRILLING
TO MOUNT FOLDING SHELF

RECCOMENDED WEIGHT CAPACITY
75 POUNDS

WARNING: ENCLOSURES WITH SIDE
MOUNTED SHELVES MAY BE SUBJECT TO
TIPPING AS A RESULT OF A CHANGE IN
THE CENTER OF GRAVITY.



DESIGNED TO FIT IS36, IS48, IS56, IS66, IS6628 & IS6636
ICE STATIONS. MAY BE SIDE OR FRONT MOUNTED.