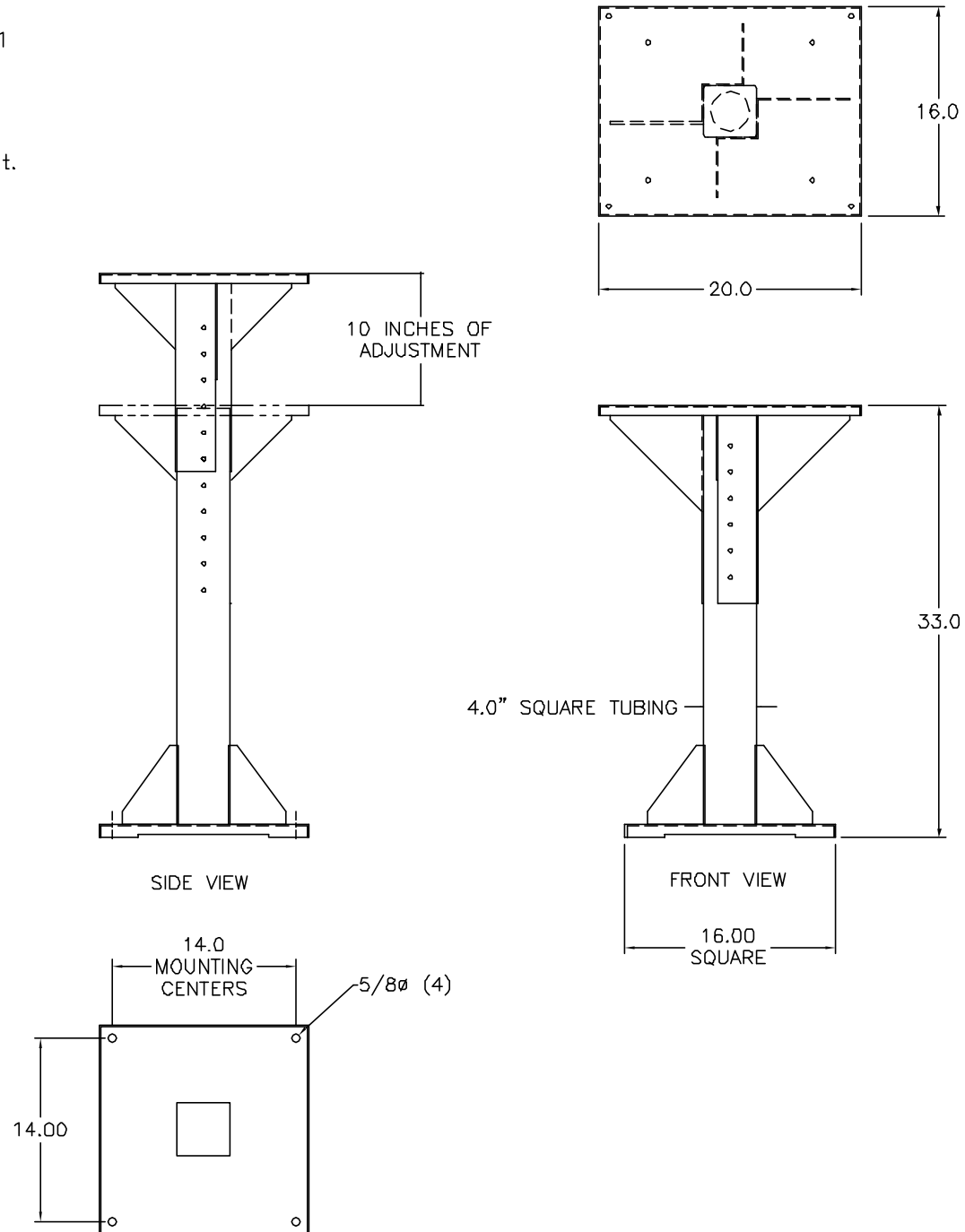


- 1 Pedestal accommodates the ID23, ID26, ID28, or ID32 including the ROKE1 and IDES
- 2 Height adjusts from 33 to 43 inches in 1 inch increments.
- NOTE: Height can be shortened for seated applications, 24" minimum height.
- 3 Welded steel construction with 11ga. Base, Post, and Platform.
- 4 Paint color BLACK.
- 5 Also available in 304 stainless steel, part number AP3343/SS
- 6 Custom versions available, ask for quote.



STANDARD PRODUCT DATA SHEET
Dimensions are in inches. Specifications are subject to change without notice.