

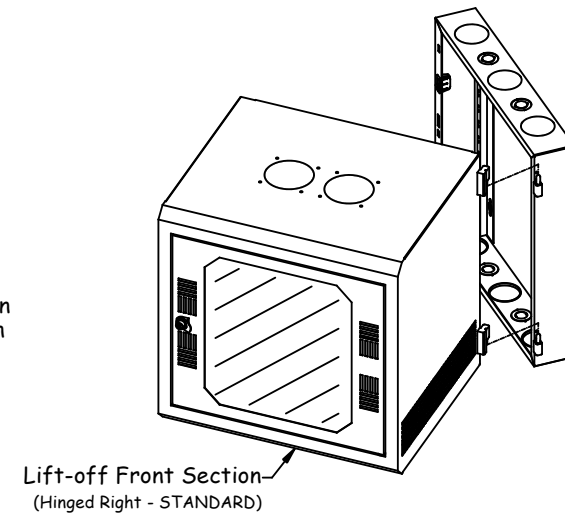
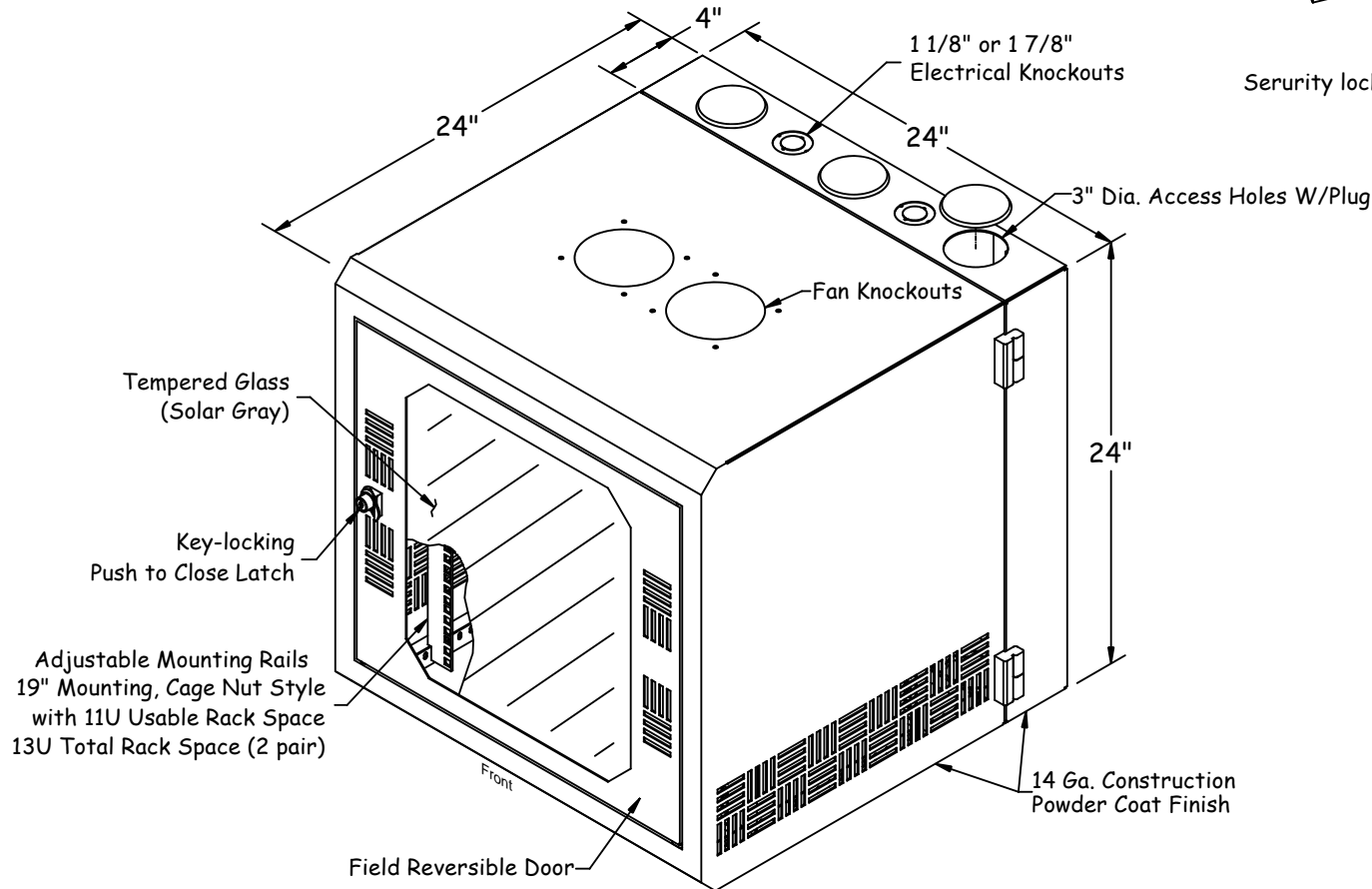
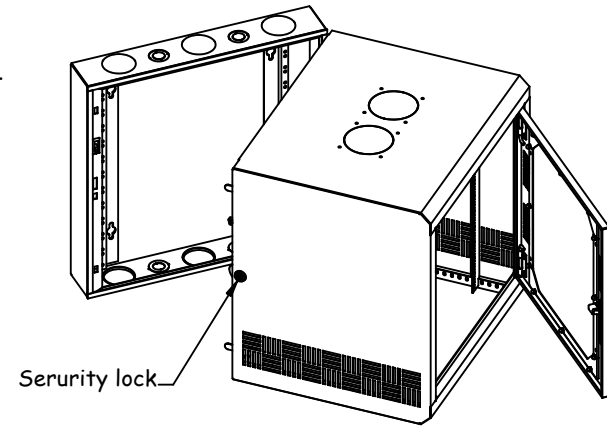
# ITSENCLUSURES

271 Westech Drive, Mt. Pleasant, PA 15666  
1-800-423-9911 ♦ [info@itsenclosures.com](mailto:info@itsenclosures.com)

model NSV-WE-243-X

Wall Mount Enclosure, 24"W x 24"D x 24"H

Enclosure Weight: 87 Lbs.



# ITSENCLUSURES

271 Westech Drive, Mt. Pleasant, PA 15666  
1-800-423-9911 ♦ [info@itsenclosures.com](mailto:info@itsenclosures.com)

model NSV-WE-243-X

Wall Mount Enclosure

