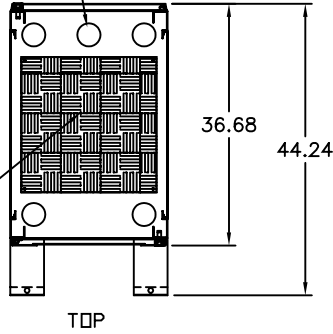


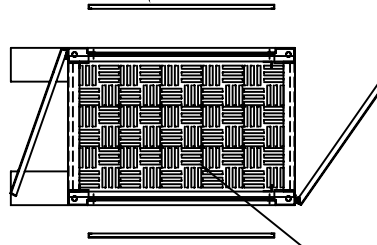
FIVE  $\phi$ 3.50 HOLES IN TOP FOR POWER OR DATA CABLES (HOLES PLUGGED WITH REMOVABLE CAP)

REMOVABLE VENTED TOP PANEL



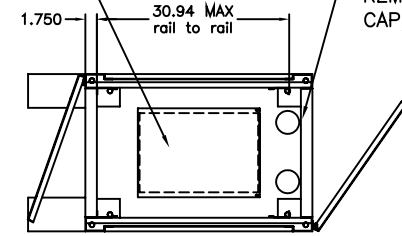
TOP

REMOVABLE LOCKING SIDE PANELS (full height)



MID-SECTION

SLIDING BOTTOM PANEL CABLE ACCESS

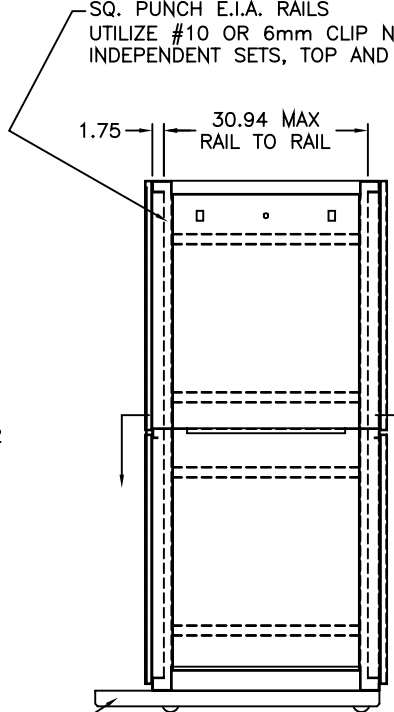


BOTTOM SECTION

TWO  $\phi$ 3.50 HOLES FOR POWER OR DATA CABLES (HOLES PLUGGED WITH REMOVABLE PLASTIC CAP)

2 SETS OF E.I.A. RAILS ADJUSTABLE FRONT & REAR SQ. PUNCH E.I.A. RAILS UTILIZE #10 OR 6mm CLIP NUTS INDEPENDENT SETS, TOP AND BOTTOM

1.75 30.94 MAX RAIL TO RAIL



RIGHT SIDE

18.312 MOUNTING CENTERS

23.87

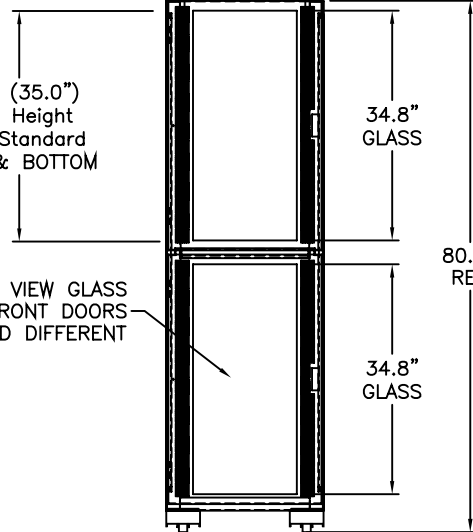
20u (35.0") Mtg Height 19" Standard TOP & BOTTOM

34.8" GLASS

80.62 REF

34.8" GLASS

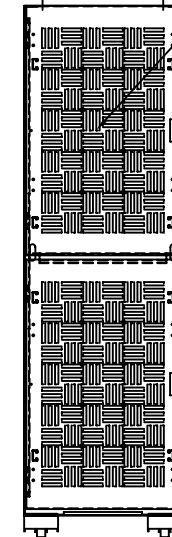
VENTED FULL VIEW GLASS LOCKING FRONT DOORS LOCKS KEYED DIFFERENT



FRONT

23.87 MATCHES FRONT

VENTED, LOCKING REAR DOORS KEYED TO MATCH FRONT



REAR

ANTI-TIP RUNNERS WITH LEVELERS AND CASTERS

STANDARD PRODUCT DATA SHEET  
Dimensions are in inches. Specifications are subject to change without notice.