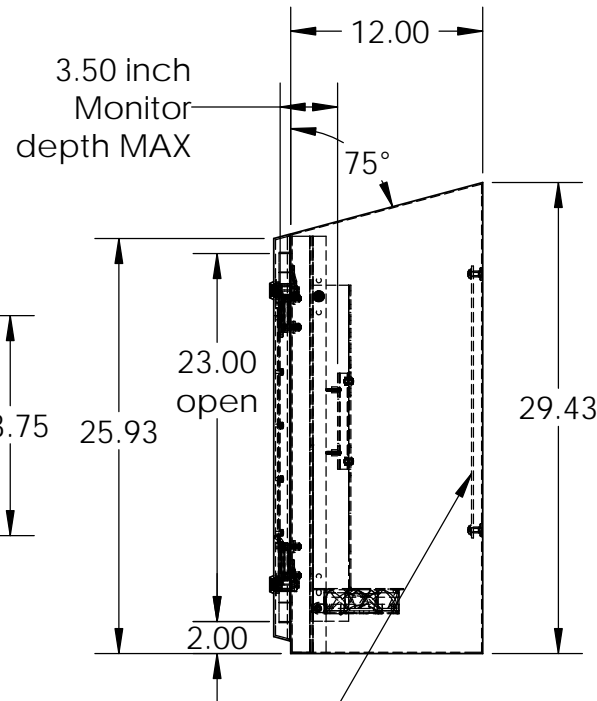
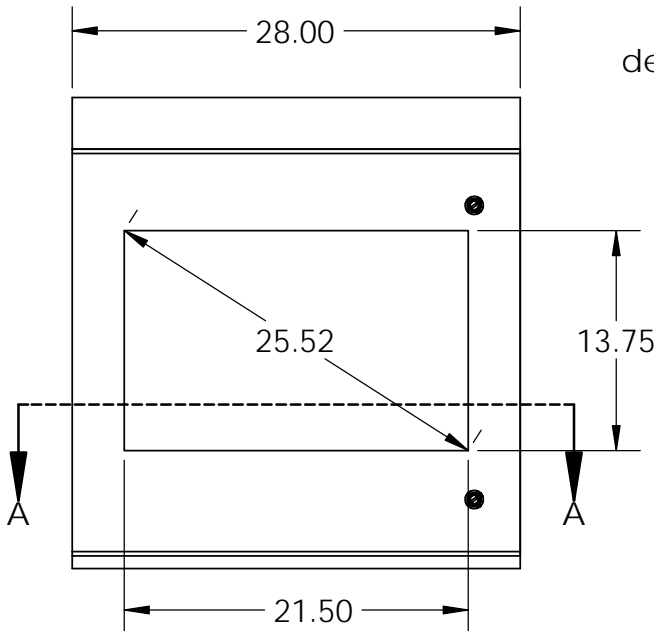
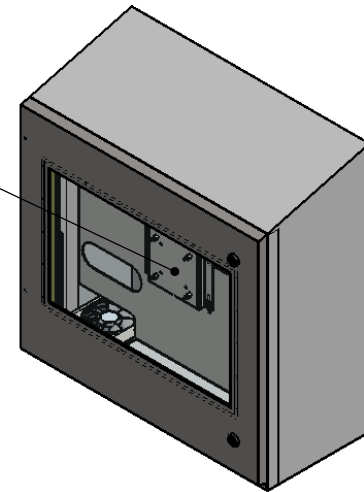


SECTION A-A

VESA compatible LCD display mount



21 x 17 Sub Panel (available)

Enclosure specs:

Formed and welded construction of 304 stainless steel with a vertical #3F

Door panel includes concealed hinges, two quarter turn screwdriver style latches (Key locking available).

Glass window with 21.50 x 13.75 viewing. (25.52 diagonal).

Vertical support brackets for tip out PC and monitor chassis with VESA compatible display mount. Includes 100 cfm circulating fan.

Rear wall mounted 21 x 17 Sub Panel available.