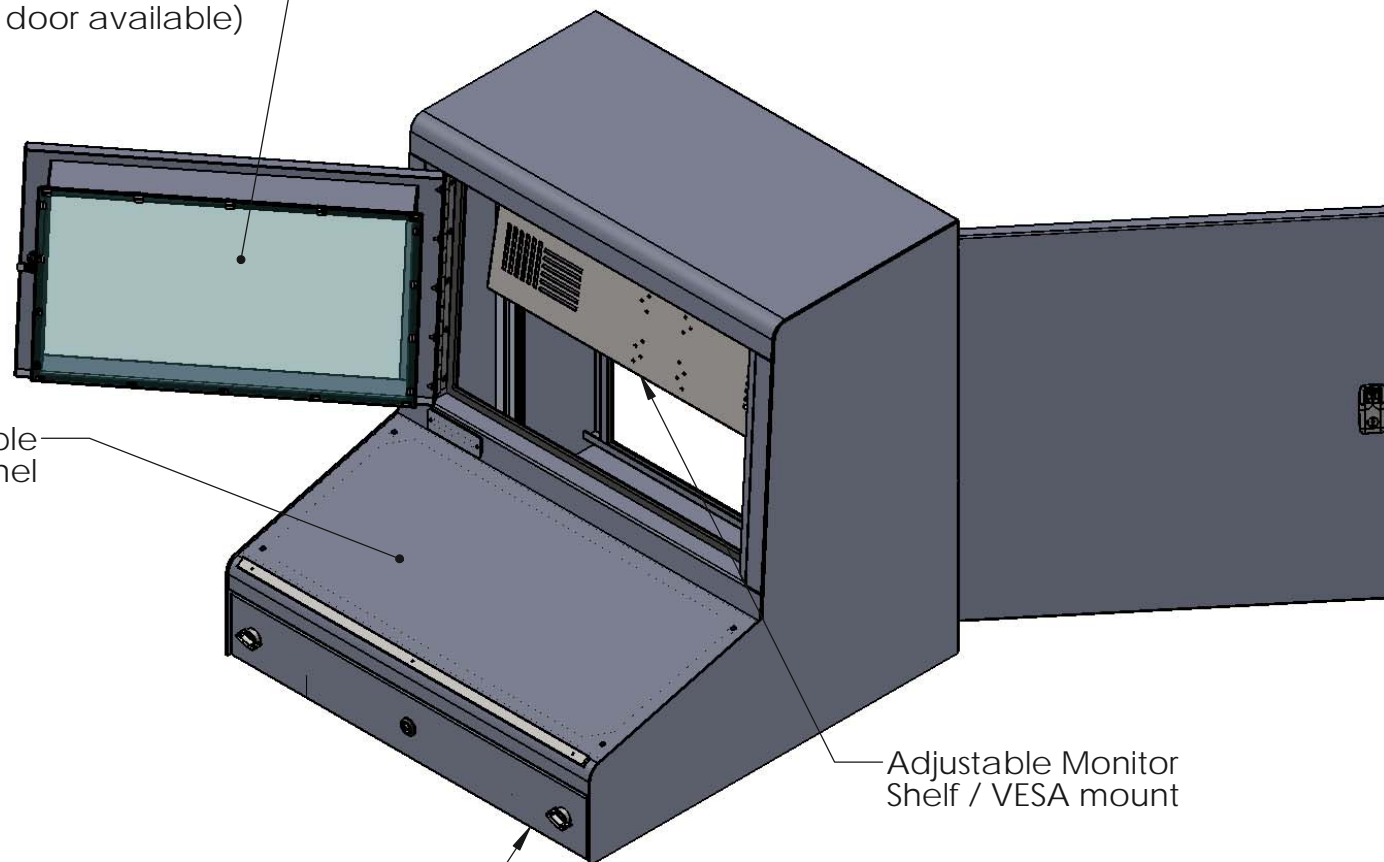


- Powder Coated Steel Costruction
- 12 Ga. Enclosure Body
- Weight = 120 Lbs.

Tempered Glass Window suited to  
24 in. wide format LCD  
(optional panel mount door available)

Customizable removable  
Work surface/Switch Panel

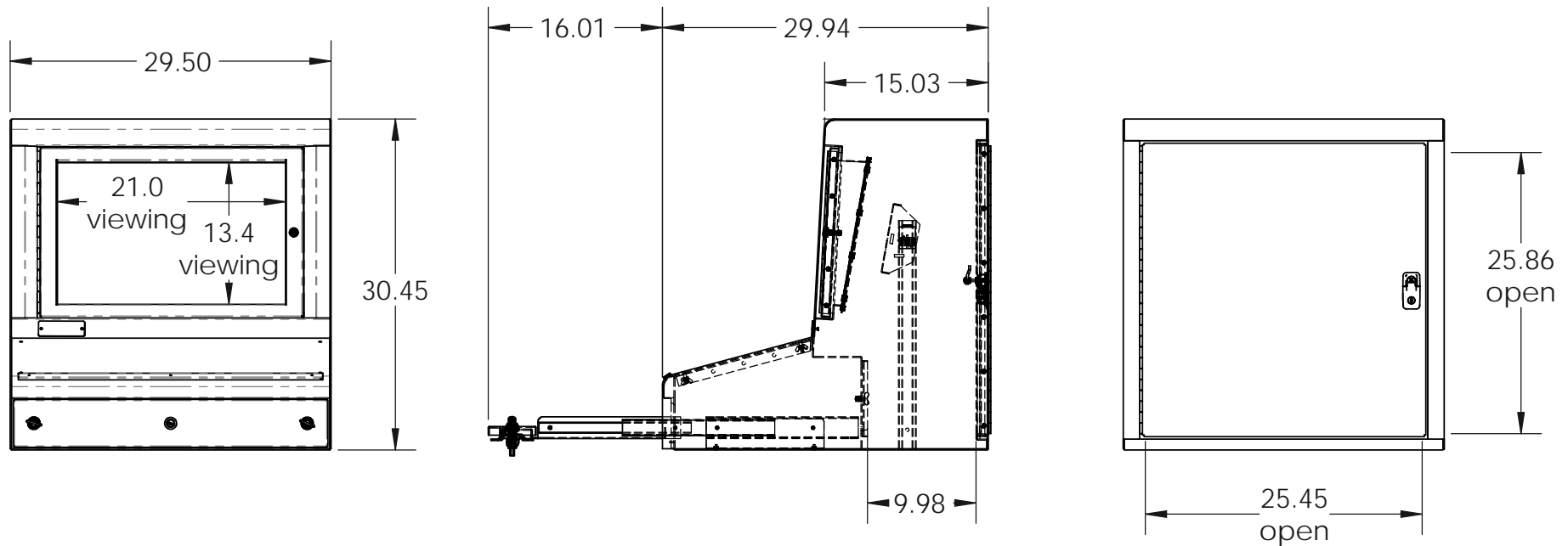


Keyboard/Mouse Drawer  
with Keylock

Adjustable Monitor  
Shelf / VESA mount

Compatible cooling devices

- FSS1-10 Filtered Fan System
- M13 and M17 AC Units
- VC2000 Vortex Cooler
- HE300 Heat Exchanger



Available Space Dimensions

- Keyboard Tray: 24.75 x 11.75
- Monitor: 24 in.
- VESA mounting: 75mm x 75mm and 100mm x 100mm