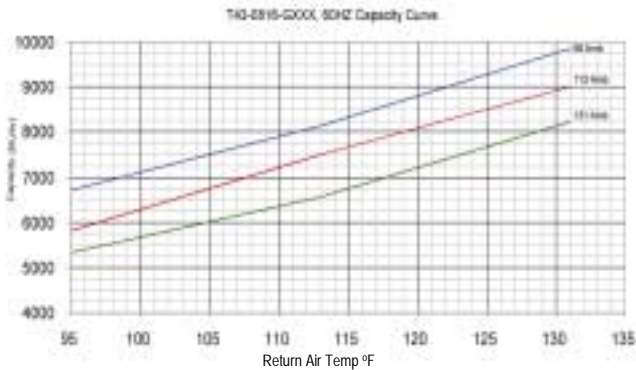


A new line of outdoor ready, high performance air conditioners from McLean Thermal is now available as a standard product offering. This rugged family of products has been developed specifically to provide the telecommunications and outdoor process control industry with the highest reliability in the market under any environmental condition.



#### MCLEAN THERMAL CLOSED LOOP COOLING

McLean Thermal air conditioners are designed and tested to maintain a UL 50 rated separation of the external ambient airflow from the sealed cabinet interior. This protects the electronic controls and equipment from shutdown caused by heat, humidity, dust and other contaminants.



#### FEATURES:

- Stock models are equipped with head pressure control for low ambient operation, compressor heater, coated condenser coil, malfunction switch, thermostat, and heater package.
- Stock models agency approvals included: CE, UL, TYPE12, TYPE3R and TYPE4
- The filter is easily accessible.
- Compact footprint to minimize real estate and maximize capacity.
- Standard models provided as surface or fully recessed mount. Partial mount models, available upon request.
- Designed to achieve seal capable of TYPE 4 and/or GR-487 wind driven rain when properly installed on an equally rated enclosure.
- Broad operating range -40°F to 131°F.
- 100% functionally tested.
- All units use a CFC-free or environmentally safe refrigerant that is universally accepted.

#### OPTIONS:

- Self contained enclosure heaters – 1000 Watt Maximum
- Malfunction alarm contact switch
- Tamper resistant hardware
- TYPE 4X
- Additional options available, contact factory

#### REFRIGERANT: R134A

**STOCK MODEL AGENCY APPROVALS:** CE, UL file SA6453. UL50 TYPE12, TYPE3R & TYPE4 rating maintained when properly installed on an equally rated enclosure. Please consult factory regarding agency approvals on NON-STOCK models.



TYPE12 TYPE3R TYPE4

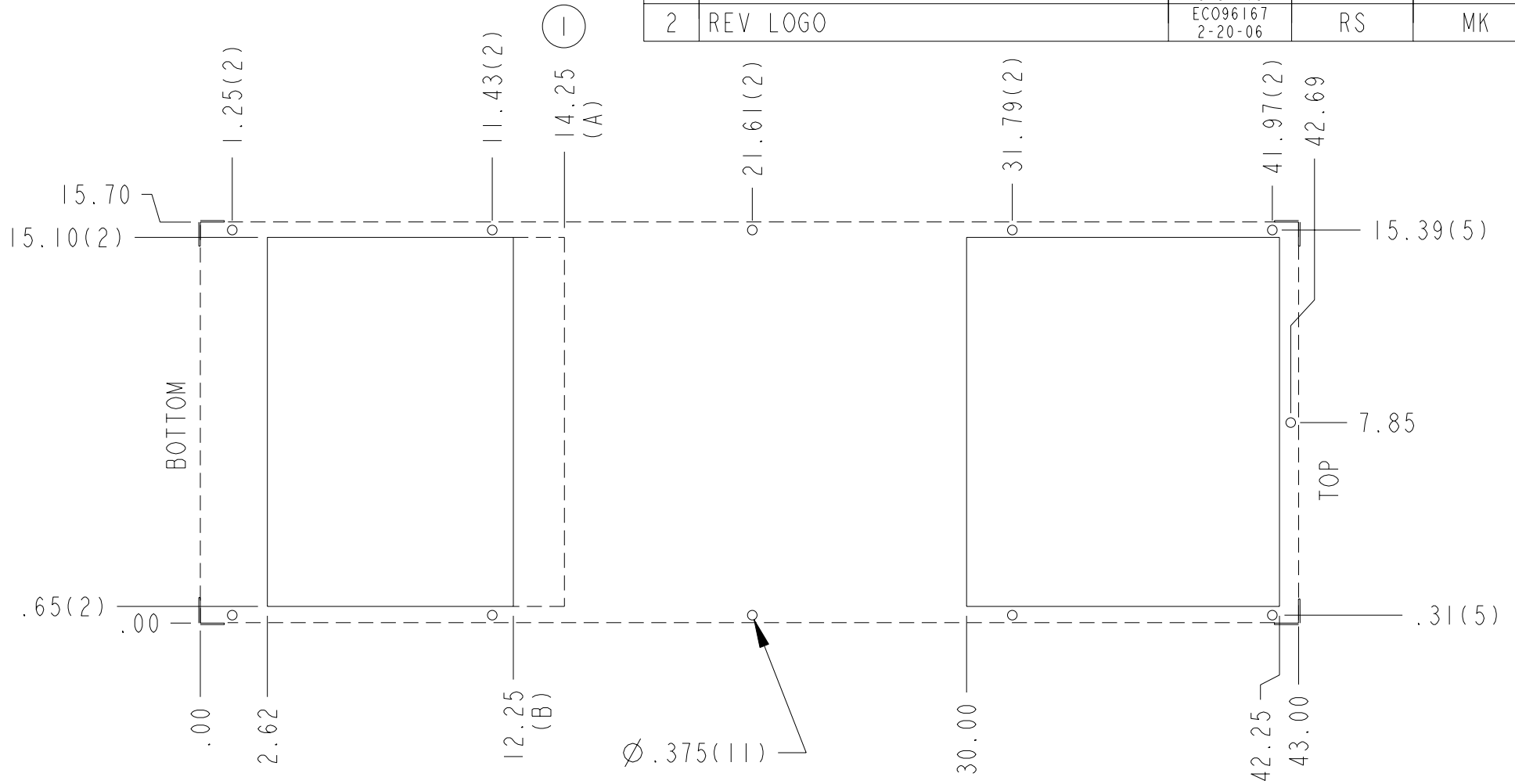
T43								
6000-10000 Btu (1756-2928 Watts)				H x W x D: 43" (1092) x 15.75" (400) x 11" (279)				
Model	Voltage	Hz	Amps @ Max Conditions	Phase	BTU/Hr @ Max Conditions	60Hz Max Amb Temp °F/°C	Shipping Weight Lbs/Kgs	
T43-0616-G150	STOCK	115	50/60	9.2/8.6	1	6310/6680	131/55	125/57
T43-0616-GXXX		115	50/60	9.2/8.6	1	6310/6680	131/55	125/57
T43-0626-G150	STOCK	230	50/60	4.4/3.8	1	6520/6770	131/55	125/57
T43-0626-GXXX		230	50/60	4.4/3.8	1	6520/6770	131/55	125/57
T43-0816-G150	STOCK	115	50/60	10.4/11.2	1	7900/8600	131/55	125/57
T43-0816-GXXX		115	50/60	10.4/11.2	1	7900/8600	131/55	125/57
T43-0826-G150	STOCK	230	50/60	5.2/5.4	1	7400/8200	131/55	125/57
T43-0826-GXXX		230	50/60	5.2/5.4	1	7400/8200	131/55	125/57
T43-1016-G15X		115	50/60	16/20	1	9670/10290	131/55	125/57
T43-1026-G15X		230	50/60	9.0	1	10040/10670	131/55	125/57

-XXX will be replaced with a three-digit number designating all desired options. Consult the factory for specific model numbers.

6K BTU UNIT USE (A) CUT OUT DIM.  
 8/10K BTU UNIT USE (B) CUT OUT DIM.

DWG. NO. 43-1003-02

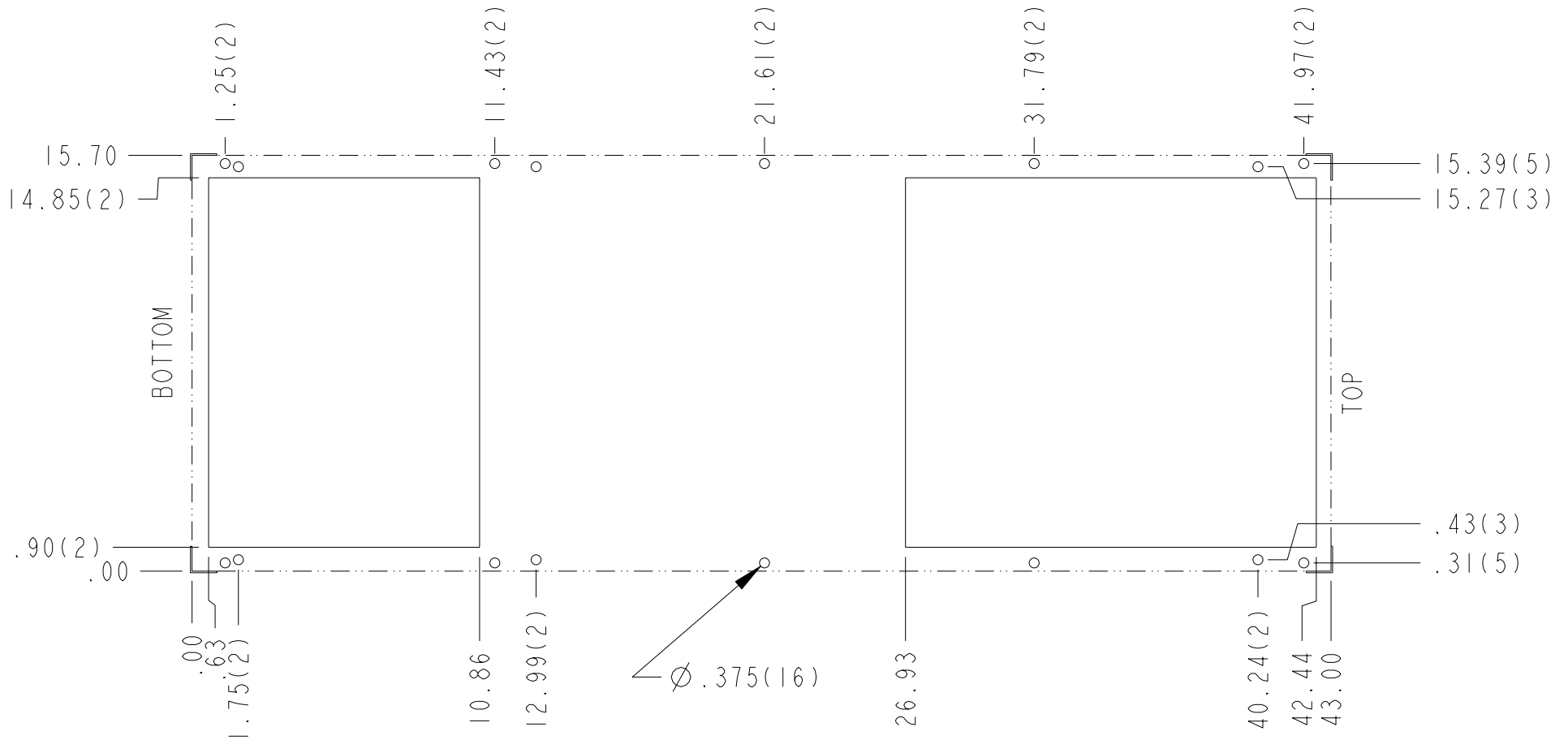
REV	DESCRIPTION	DATE	BY	CHK
1	ADD 6K BTU CUT OUT	EC095968 8/31/05	FHH	RW
2	REV LOGO	EC096167 2-20-06	RS	MK



<b>ATTENTION:</b> THIS DRAWING AND THE INFORMATION IT CONTAINS ARE THE EXCLUSIVE PROPERTY OF McLEAN. ANY UNAUTHORIZED USE, DISCLOSURE, OR REPRODUCTION WITHOUT THE EXPRESS WRITTEN CONSENT OF McLEAN IS PROHIBITED.	UNLESS OTHERWISE SPECIFIED DIMENSIONS ARE IN INCHES. TOLERANCES: DECIMALS .XXX ± .005 DECIMALS .XX ± .015 DECIMALS .X ± .03 ANGULAR ± 1 DEGREE	DRAWN FHH CHECKED RW PROJECT ENG. RW	DATE 12/13/04 DATE 12/13/04 DATE 12/13/04	
	MATERIAL:	APPROVED RW SCALE: NONE	DATE 12/13/04	
	BULK: SPEC:	SIZE: A	SHEET: 1 OF 1	DWG. NO 43-1003-02

DWG. NO. 43-1003-01

REV	DESCRIPTION	DATE	BY	CHK
0	UPDATED TO CURRENT MODEL	5/3/05	FHH	RW
1	REV LOGO	EC096167 2-20-06	RS	MK



**ATTENTION:**

THIS DRAWING AND THE INFORMATION IT CONTAINS ARE THE EXCLUSIVE PROPERTY OF McLEAN. ANY UNAUTHORIZED USE, DISCLOSURE, OR REPRODUCTION WITHOUT THE EXPRESS WRITTEN CONSENT OF McLEAN IS PROHIBITED.

UNLESS OTHERWISE SPECIFIED DIMENSIONS ARE IN INCHES. TOLERANCES: DECIMALS .XXX ± .005 DECIMALS .XX ± .015 DECIMALS .X ± .03 ANGULAR ± 1 DEGREE	DRAWN	DATE
	FHH	10/27/04
	CHECKED	DATE
	RW	10/27/04
MATERIAL:	PROJECT ENG.	DATE
	RW	10/27/04
BULK: SPEC:	APPROVED	DATE
	RW	10/27/04
SCALE: NONE		

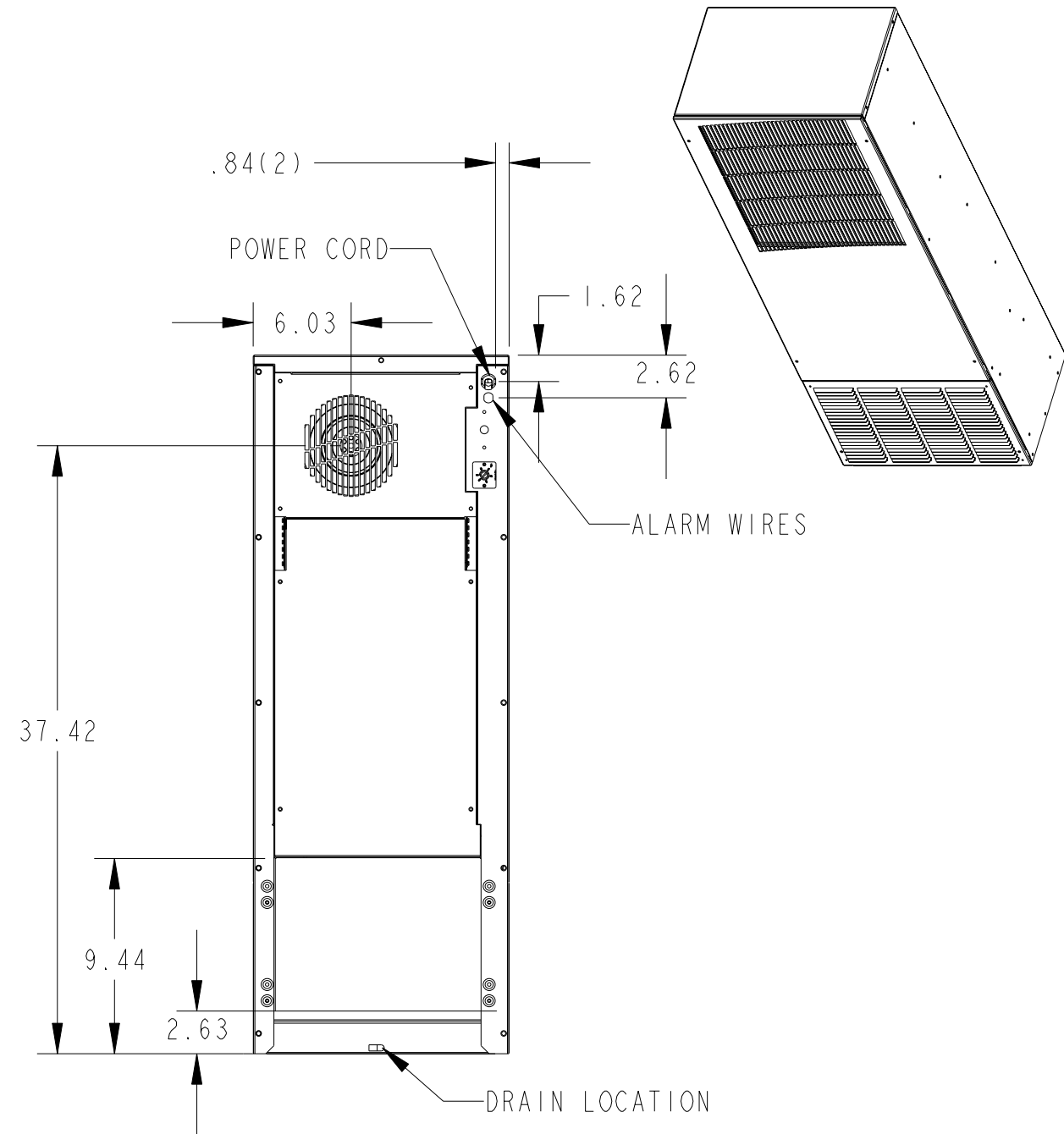
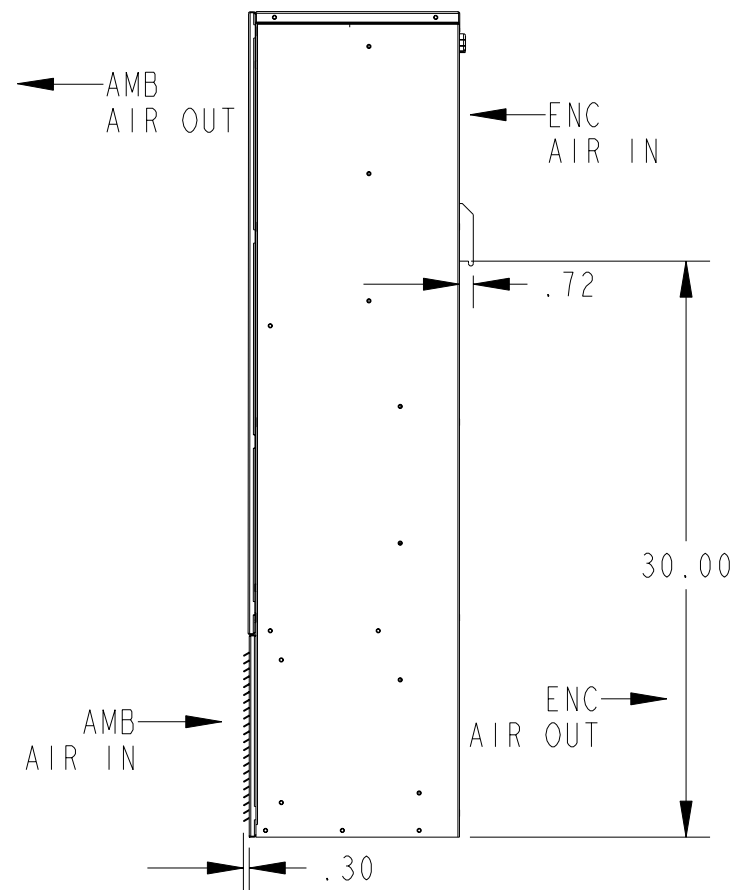
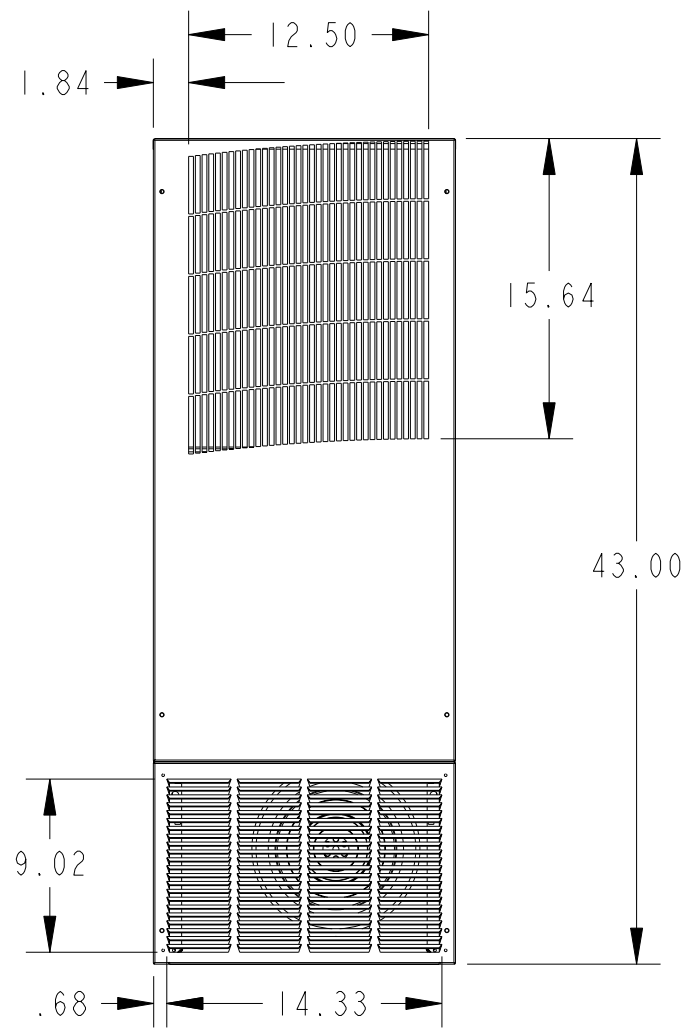
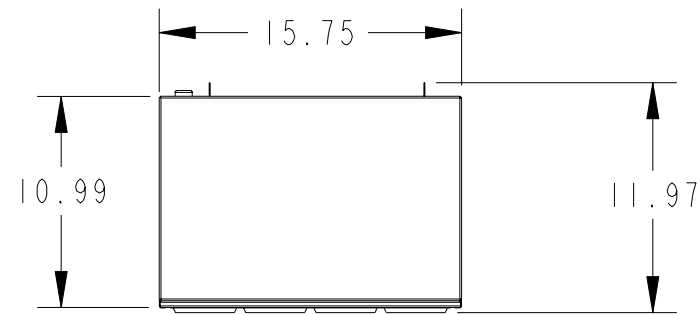


CUT OUT, T43 STOCK  
INTERNAL

SIZE: A	SHEET: I OF I	DWG. NO 43-1003-01
---------	---------------	--------------------

REV	DESCRIPTION	DATE	BY	CHK
1	REVISED DRAIN & DESIGN DATA	ECO95968 8/24/05	FHH	RW
2	REV LOGO	ECO96167 2-13-06	RS	MK

NOTE:  
 1. CUT OUT DRAWING:  
 INTERNAL MOUNT: 43-1003-01  
 EXTERNAL MOUNT: 43-1003-02



DESIGN DATA			FULL LOAD	BTU/HP @ MAX	MAX ° F/C AMBIENT	NT. WT. LBS.
MODEL	VOLTS	HZ	AMPS	PH	AMB TEMP	TEMP
T43-0816-G15X	115	50/60	10.4/11.2	I	7900/8600	131/55
T43-0826-G15X	230	50/60	5.2/5.4	I	7400/8200	131/55

**ATTENTION:**  
 THIS DRAWING AND THE INFORMATION IT CONTAINS ARE THE EXCLUSIVE PROPERTY OF McLEAN. ANY UNAUTHORIZED USE, DISCLOSURE, OR REPRODUCTION WITHOUT THE EXPRESS WRITTEN CONSENT OF McLEAN IS PROHIBITED.

UNLESS OTHERWISE SPECIFIED DIMENSIONS ARE IN INCHES. TOLERANCES:  
 DECIMALS .XXX ± .005  
 DECIMALS .XX ± .015  
 DECIMALS .X ± .03  
 ANGULAR ± 1 DEGREE

DRAWN FHH	DATE 4/26/05
CHECKED SN	DATE 4/26/05
PROJECT ENG. RW	DATE 4/26/05
APPROVED RW	DATE 4/26/05

SCALE: NONE

SIZE: B SHEET: 1 OF 1

**McLean THERMAL**

MODEL DRAWING T43 STOCK 8K BTU

DWG. NO 43-1008