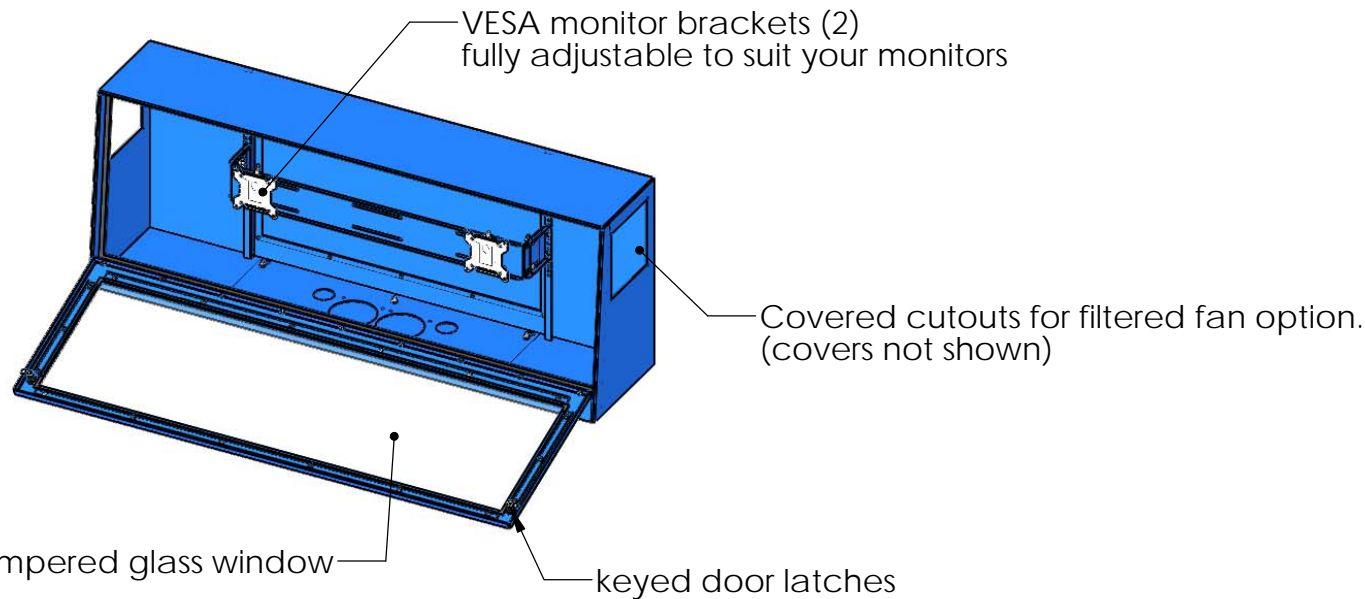
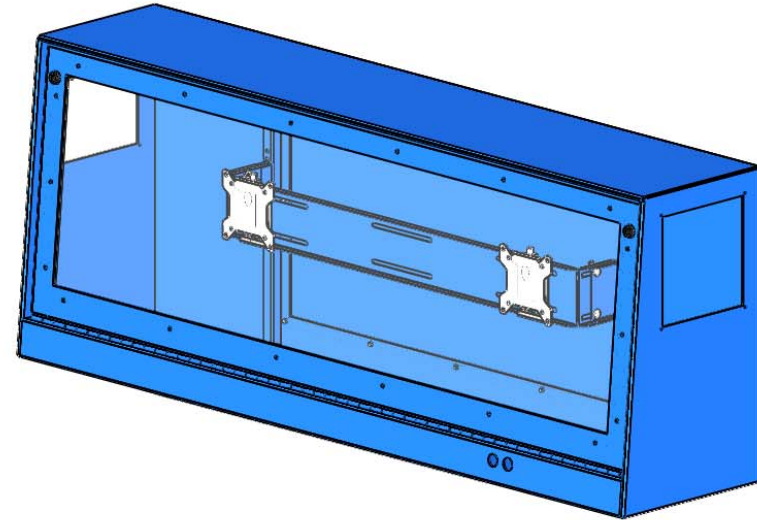
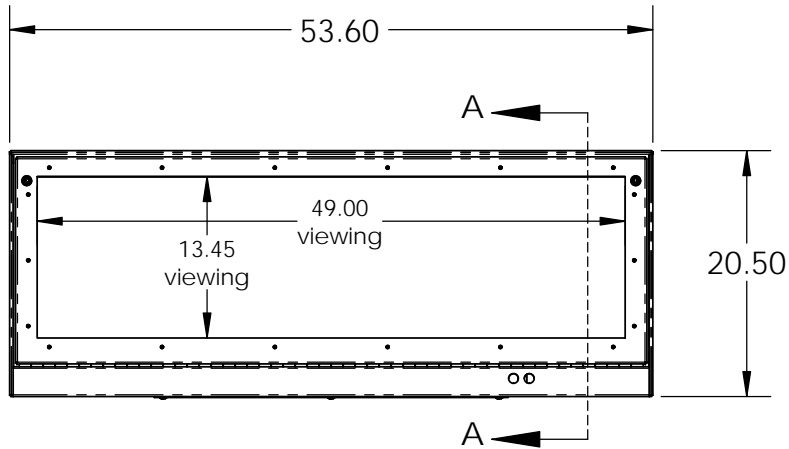
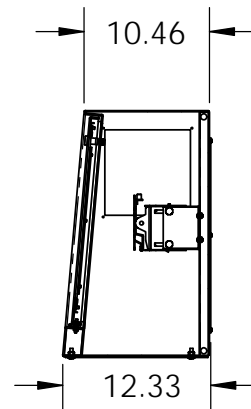


The TITAN Dual Monitor Enclosure is built to meet NEMA 12 standards and will accommodate two wide screen monitors up to 27 inch diagonal. Ideal where double monitors are necessary, and their protection from the harsh ambient atmosphere is important to your system reliability and longevity. Like all Ice Stations this enclosure is the perfect choice for protecting your electronics from dust, dirt, and splashing fluids.

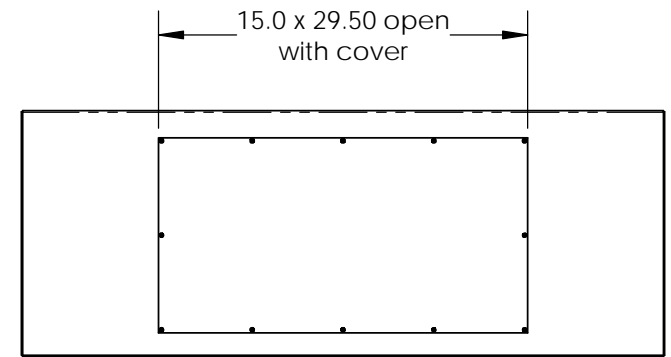




FRONT VIEW



SECTION A-A



REAR VIEW

