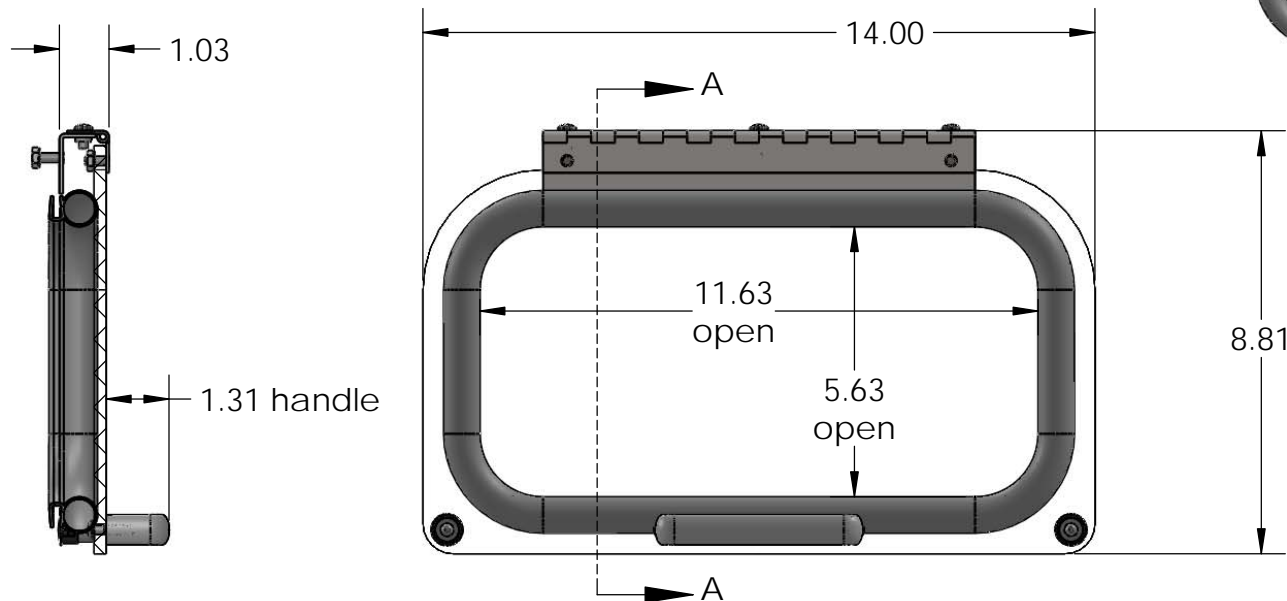
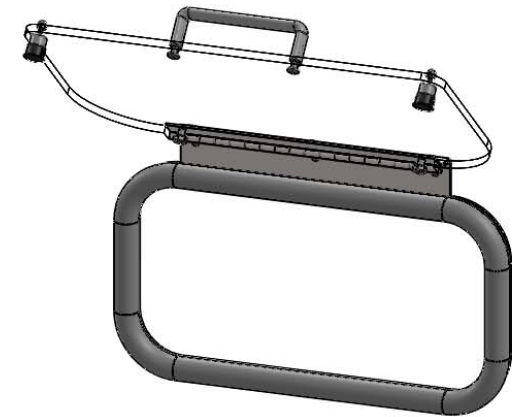


HPD2

Hinged Printer Door intended as a viewable access to a laser printer or similar printing device. Uses magnets to maintain closure on Type-12 enclosure. Door hinge is free swinging and when installed as illustrated it will close when released.

Position location on the enclosure as specified by the customer.



SECTION A-A